

## ELECTRICAL FEATURES

INPUT VOLTAGE	220 - 240 V Ac, 50-60HZ
INPUT CURRENT	0.45A
POWER RATE	100W
DIMMABILITY	NO
POWER FACTOR	0.96
OUTPUT VOLTAGE	12V Ac, 50 - 60HZ
OUTPUT CURRENT	8.33A
WORKING TEMPERATURE	≤ 85°
NEMA /UL	CLASS B

## GENERAL FEATURES

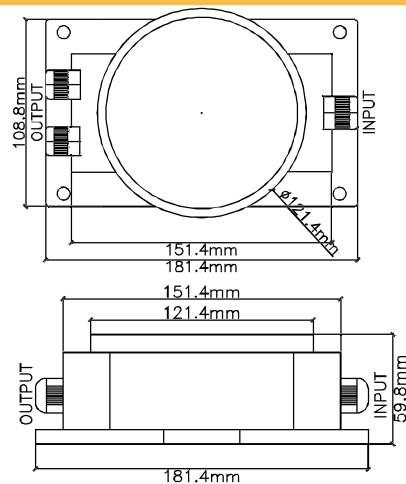
Small Size | Low Mechanical Hum | Low Weight | Easy Mounting

1. Protections:

(a) Over voltage protected (OVP) | (b) Over Temperature Protection (OTP)

(c) In-rush Current Protection (ICP)

## 2D LAYOUT



## MECHANICAL FEATURES

PAKING SIZE	WEIGHT	COIL WIRE	COIL STRUCTURE	CORE MATERIAL	BODY MATERIAL	INSULATION CLASS
230 x 150x 85mm	2.5KG	Copper 100%	Toroidal	Siliconized Steel	ABS	CLASS B



## PRODUCT IMAGE

