

## ELECTRICAL FEATURES

INPUT VOLTAGE	220 - 240 V Ac, 50-60HZ
INPUT CURRENT	8.1A Max
LOAD POWER RATE	1800W Max
DIMMABILITY	No
POWER CONSUMPTION	1.5W
TIME DELAY	30 ~ 120 Sec
WORKING TEMPERATURE	≤ 70°
ON - OFF LEVELS	10 ~ 20 LUX ON (Dusk) 30 ~ 60 LUX OFF (Dawn)

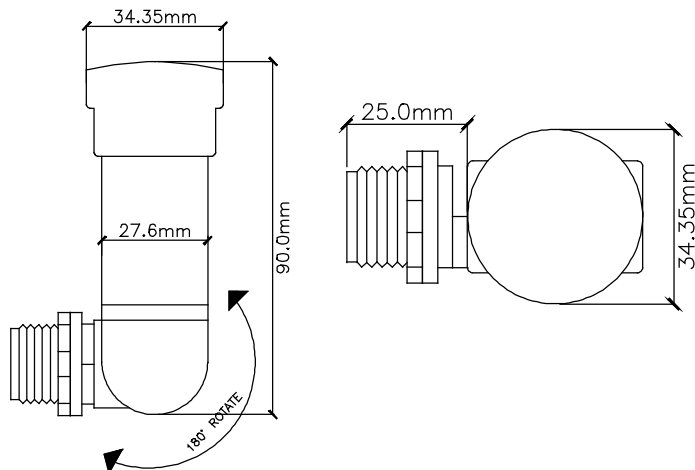
## GENERAL FEATURES

Operation of this product will not be affected by weather, moisture or temperature changes.

To test cover the photocell with the provided black cap.

After doing installation and test remove the black cap to start operations.

## 2D LAYOUT



## MECHANICAL FEATURES

PAKING SIZE	WEIGHT	WIRE LENGTH	ADJUSTMENT SCREW	TEST CAP	BODY MATERIAL	INSULATION
45 x 45 x 90mm	0.70KG	130mm	Available	Available	PVC	PLUG-IN



IP65



## PRODUCT IMAGE

