

LED HIGHBAY

High performance, higher efficiency, guaranteed quality.

LED high bay light specially designed for warehouses and factories



IP65

WARRANTY

5
yr

LUMO[®]



SERIES O

The most cost effective solution of LED High Bay

130
LM/W

65
IP

08
IK

- 100W, 150W, 200W
- 130lm/W
- Beam Angle: 90° / 110°
- 5 years warranty
- 1-10V DC dimmable/ PWM singal dimmable/resistance dimmable

Power Options



100W



150W

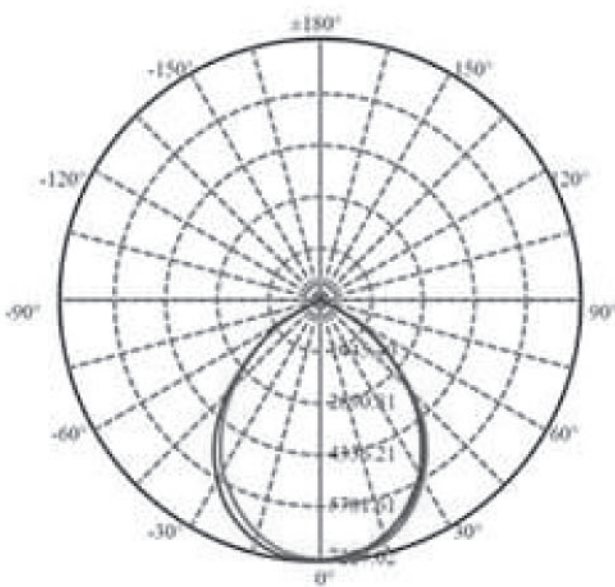


200W

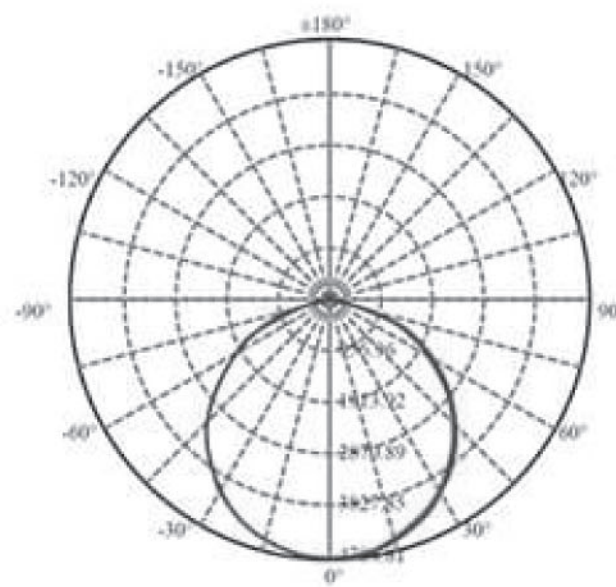
Product Parameter

Model	Power	CRI	Voltage	PF	Beam Angle	Light Efficiency	Lumens
LU-HB-100WO	100W	80	100-305VAC	>0.95	90°/110°	130LM/W	13,000lm
LU-HB-150WO	150W	80	100-305VAC	>0.95	90°/110°	130LM/W	19,500lm
LU-HB-200WO	200W	80	100-305VAC	>0.95	69°/110°	130LM/W	26,000lm

Light Distribution Curve



90°

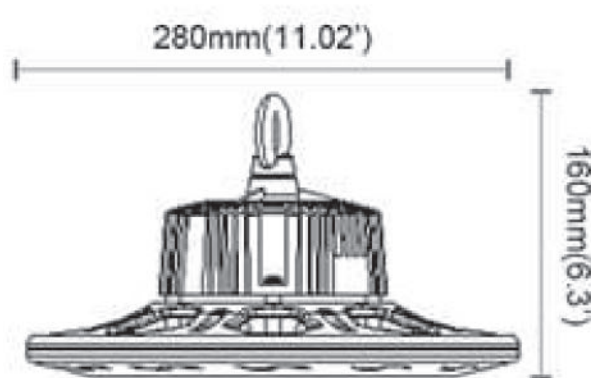


110°

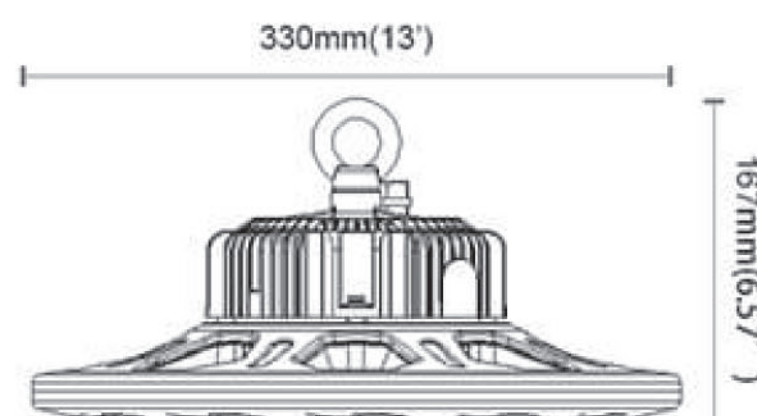
Materials

Driver	LUMO
LED Source	PHILIPS
CCT	2700K / 4000K / 5000K / 5700K
Working Temperature	-20°C ~ 60°C
Dimming	1-10V
Reports	IES, TM21, LCP, LM79
IP Rating	IP65

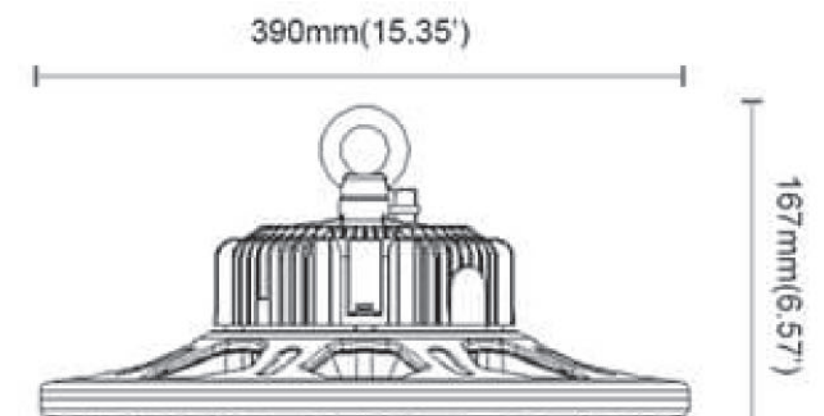
Product Dimensions



100W



150W



200W

Certification





SERIES K

The most cost effective of LED High Bay

130

LM/W

65

IP

08

IK

- 100W, 150W, 200W
- 130lm/W
- Beam Angle: 90°
- 5 years warranty
- 0-10V DC dimmable/ PWM singal dimmable/resistance dimmable
- ISO9001, TUV, SAA, CE, RoHS

Power Options



100W



150W

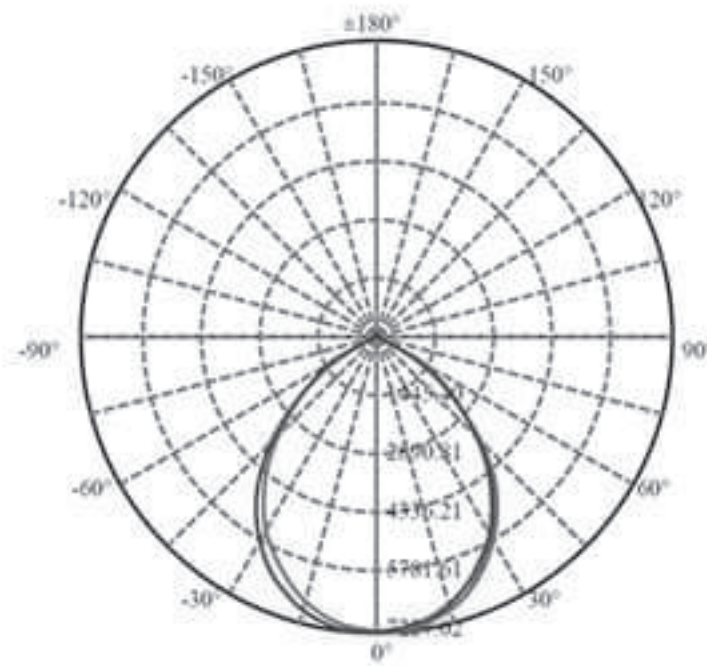


200W

Product Parameter

Model	Power	CRI	Voltage	PF	Beam Angle	Light Efficiency	Lumens
LU-HB-100WK	100W	80	100-305VAC	>0.95	90°	130LM/W	13,000lm
LU-HB-150WK	150W	80	100-305VAC	>0.95	90°	130LM/W	19,500lm
LU-HB-200WK	200W	80	100-305VAC	>0.95	90°	130LM/W	26,000lm

Light Distribution Curve

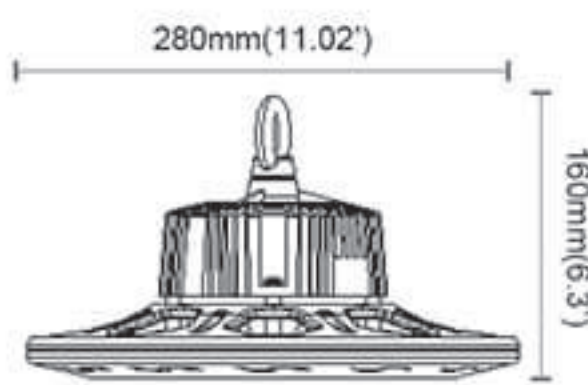


90°

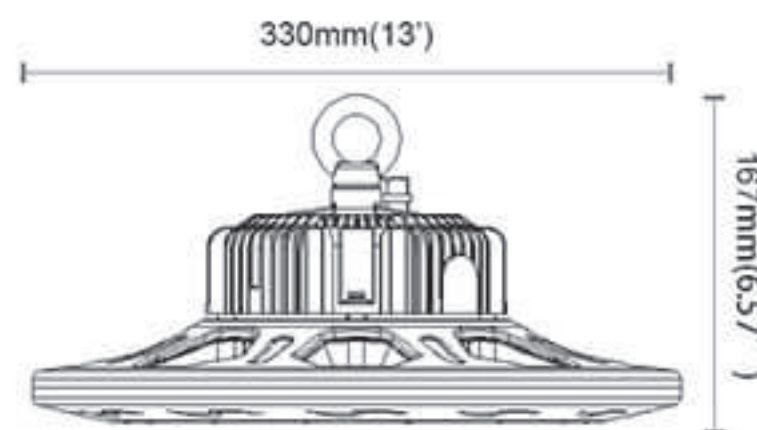
Materials

Driver	LUMO
LED Source	PHILIPS
CCT	2700K / 4000K / 5000K / 5700K
Working Temperature	-20°C ~ 60°C
Dimming	1-10V
Reports	IES, TM21, LCP, LM79
IP Rating	IP65

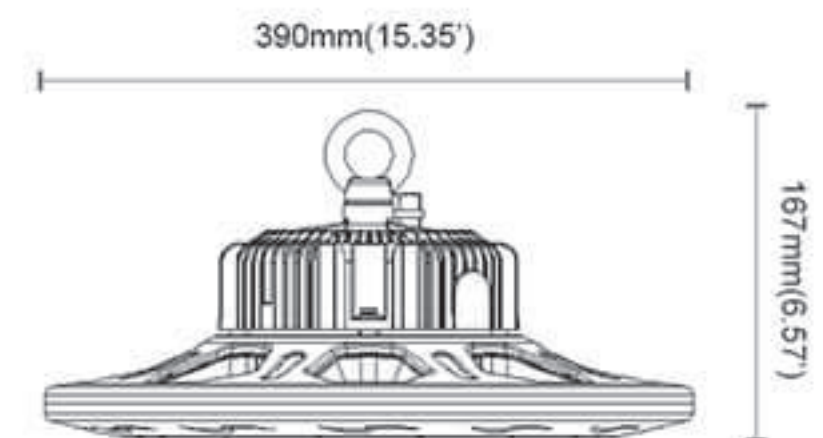
Product Dimensions



100W



150W



200W

Certification



Dimming





MEANWELL & CREE

SERIES H

Super High Lumen Output

190
LM/W

- 100W, 150W, 200W
- 190LM/W
- Beam Angle: 60° / 90°
- 5 years warranty
- Microwave Sensor
- ISO9001, TUV, SAA, CE, RoHS

Power Options



100W



150W

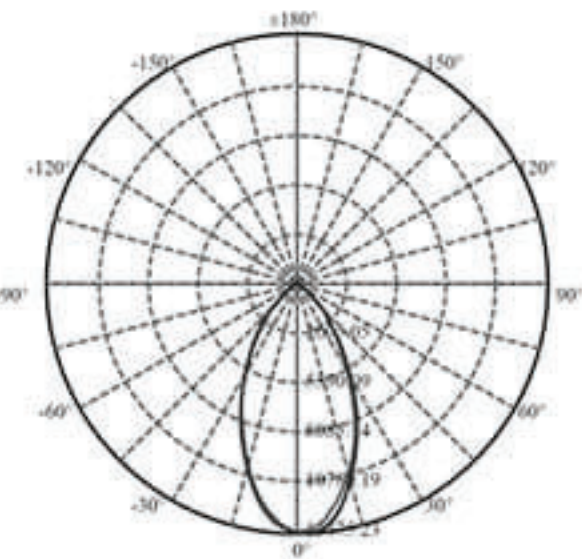


200W

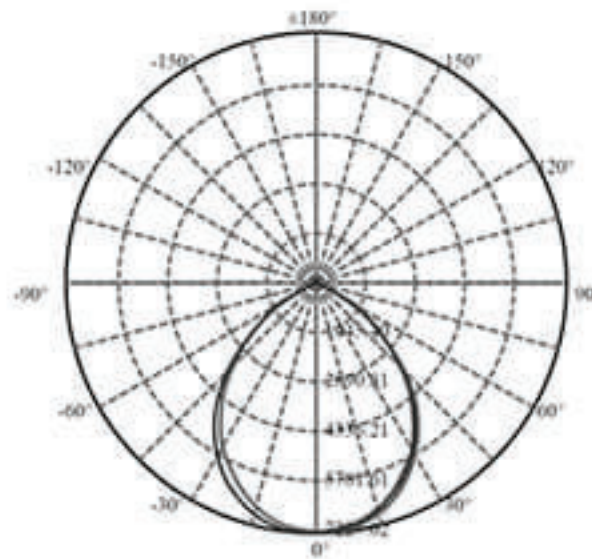
Product Parameter

Model	Power	CRI	Voltage	PF	Beam Angle	Light Efficiency	Lumens
LU-HB-100WO	100W	70	100-305VAC	>0.95	60°/90°	190LM/W	19,000lm
LU-HB-150WO	150W	70	100-305VAC	>0.95	60°/90°	190LM/W	28,500lm
LU-HB-200WO	200W	70	100-305VAC	>0.95	60°/90°	190LM/W	38,000lm

Light Distribution Curve



60°

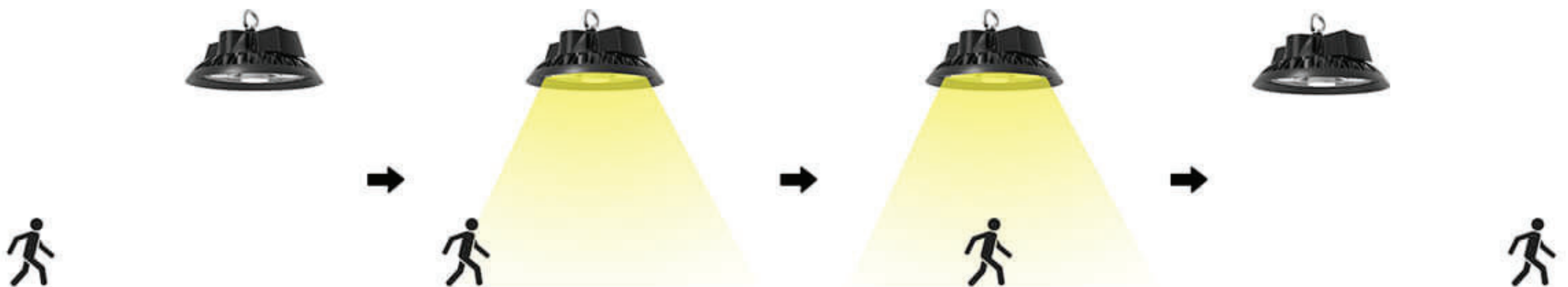


90°

Materials

Driver	MEANWELL
LED Source	CREE
CCT	2700K / 4000K / 5000K / 5700K
Working Temperature	-20°C ~ 55°C
Dimming	1-10V / Microwave Sensor
Reports	IES, TM21, LCP, LM79
IP Rating	IP65

Microwave Sensor



Certification



www.lumo.ae

CONTACT US

LUMO FZE
FACTORY NO. 1, N304, JAFZA
JEBEL ALI, DUBAI, UAE
P: +971 4 880 89 20 | F: +971 4 880 89 21