

ELECTRICAL FEATURES

| | |
|--------------------|-------------------|
| LED CHIP | CREE, COB |
| TOTAL LUMEN OUTPUT | Blue Light Output |
| DIMMABILITY | No |
| POWER | 1W |
| POWER SUPPLY | 12V AC/DC |
| BEAM ANGLE | 120° |
| LIFE SPAN | 40,000hrs |

12V low voltage products need to have an individual transformer to operate.

AVAILABLE COLOR TEMPERATURE



APPLICATION PHOTO



1w one way path light is a non - dimmable low - voltage recessed outdoor/ indoor light designed to protect light horizontally at ground level around 120° across flat floor/ wall surface. Despite its small size, it produces a light output of 80 lumens.

GENERAL FEATURES

Includes an easy installation, anti-corrosion burial sleeve.

versatile mini size and simple styling for multiple application.

1W MINI LED DECK LIGHT

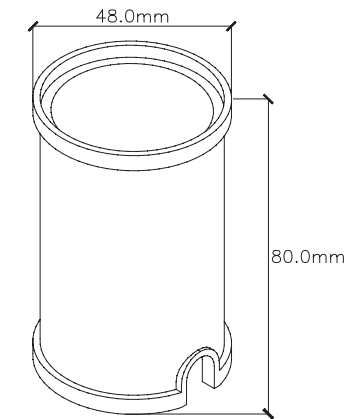
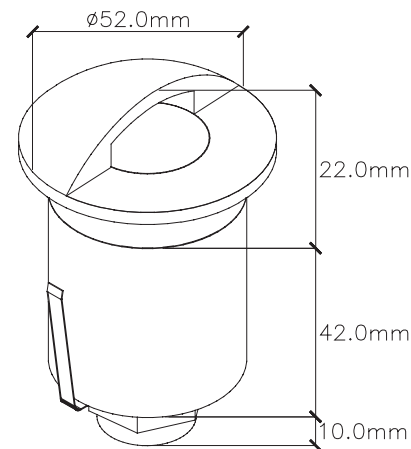
MECHANICAL FEATURES

| PACKING SIZE L X W X H | HOLE SIZE | SLEEVE MATERIAL | WEIGHT | PROTECTION | FRAME MATERIAL | DIFFUSER | BODY MATERIAL |
|---------------------------|-----------|--------------------|--------|------------|------------------------|---------------------------|------------------------|
| 53x53x82mm | Ø48xH85mm | ABS | 0.34kg | IP67 | Stainless Steel 316 | Tempered Frosted Glass | Stainless Steel 316 |

PRODUCT IMAGE



2D LAYOUT



SLEEVE