

## ELECTRICAL FEATURES

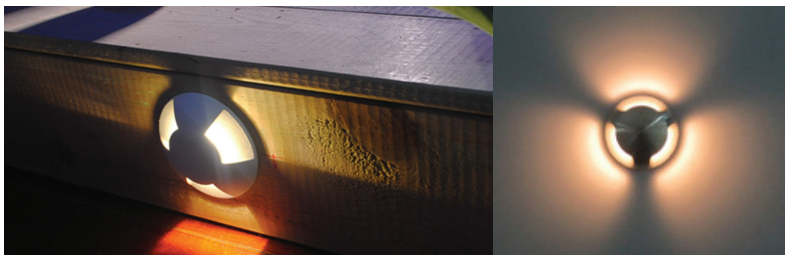
LED CHIP	CREE, COB
TOTAL LUMEN OUTPUT	80LM Warm White
DIMMABILITY	No
POWER	1W
POWER SUPPLY	12V AC/DC
BEAM ANGLE	270°
LIFE SPAN	40,000hrs
CRI	>80

12V low voltage products need to have an individual transformer to operate.

## AVAILABLE COLOR TEMPERATURE



## APPLICATION PHOTO



1w one way path light is a non - dimmable low - voltage recessed outdoor/ indoor light designed to protect light horizontally at ground level around 270° across flat floor/ wall surface. Despite its small size, it produces a light output of 80 lumens.

## GENERAL FEATURES

Includes an easy installation, anti-corrosion burial sleeve.

versatile mini size and simple styling for multiple application.

# 1W MINI LED DECK LIGHT

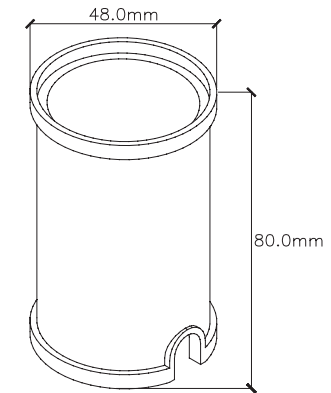
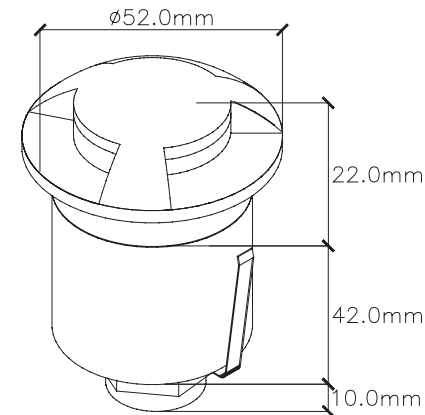
## MECHANICAL FEATURES

PACKING SIZE L X W X H	HOLE SIZE	SLEEVE MATERIAL	WEIGHT	PROTECTION	FRAME MATERIAL	DIFFUSER	BODY MATERIAL
55x55x85mm	Ø48xH85mm	ABS	0.33kg	IP67	Stainless Steel 316	Tempered Glass	Stainless Steel 316

## PRODUCT IMAGE



## 2D LAYOUT



SLEEVE