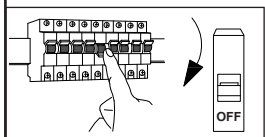
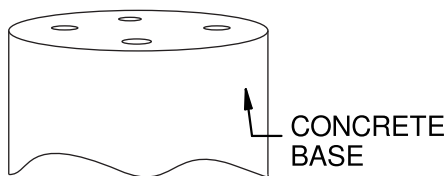


LED BOLLARD LIGHT INSTALLATION INSTRUCTIONS

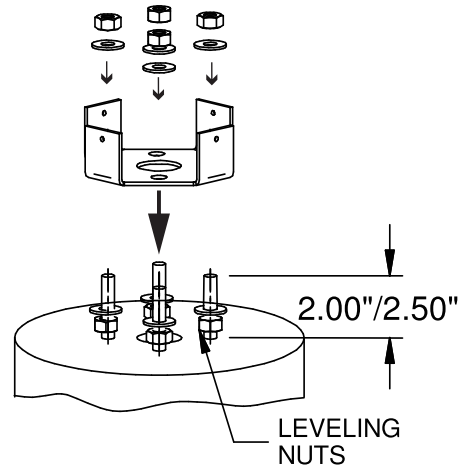


PART NAME	INPUT VOLTAGE	MATERIAL	IP RATING
LU010BLGS-CL01	190-240V AC, 50/60Hz	Die-cast Aluminum + PMMA Diffuser	IP65

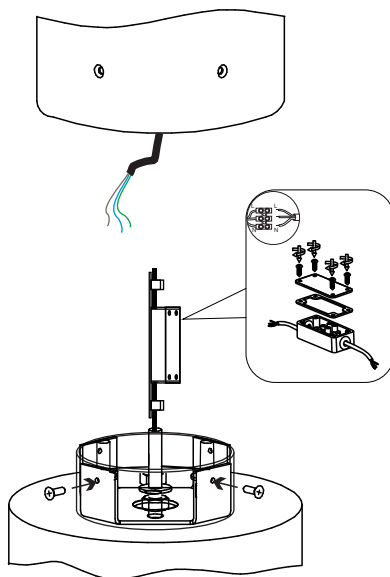
- ① Turn Off the power before starting installation. Make holes on the concrete base and fix the anchor bolts in it.



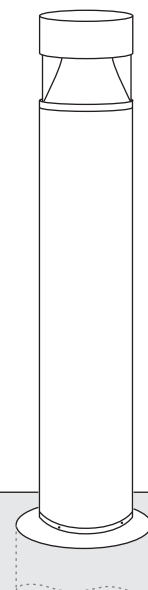
- ② Place base over anchor bolts. Use flat washers and nuts both below and above the base.



- ③ Level the top surface of the base by adjusting the bottom levelling nuts and tighten the upper nuts. Make the wiring connection with 3-way waterproof connectors as shown in image.



- ④ Place fixture down over base, lining up threaded holes in the base with countersunk holes in fixture housing.



WARNINGS All electrical works must be done by a qualified electrician.
Turn off electrical power to all affected circuits before installation or servicing.
For any technical support contact LUMO® experts in info@lumo.ae