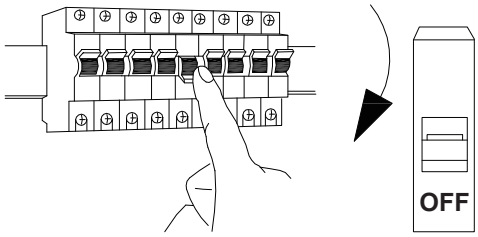


LED SPIKE LIGHT INSTALLATION INSTRUCTIONS

LUMO®

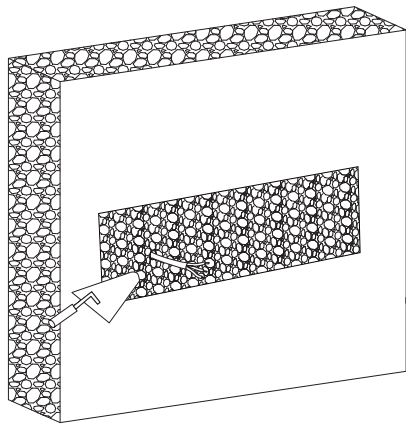
PART No.	WATTAGE	INPUT	DIMENSION	IP RATING
107110	10W	220-240V AC, 50-60Hz	L280xD73xH65mm	IP65

①



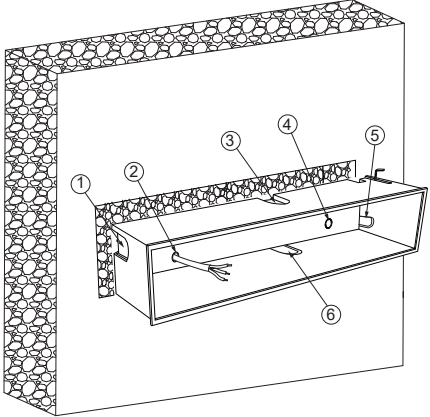
Turn Off the power before starting installation.

②



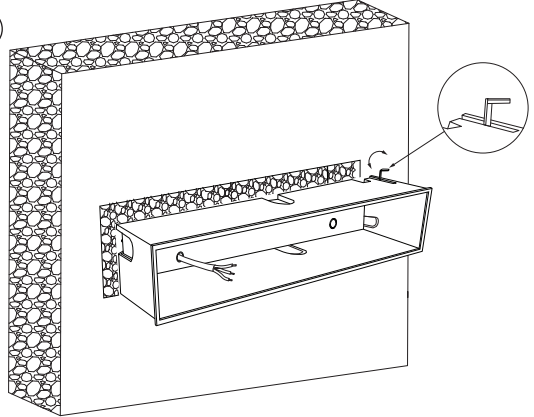
Prepare the desired area to install the light with proper electrical connection

③



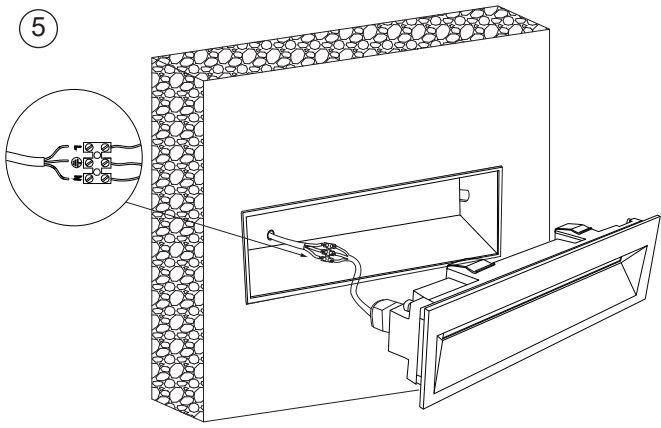
Install the sleeve into the concrete slot. Take electrical connection in, from the 1 - 6 options the sleeve as per the site situation.

④



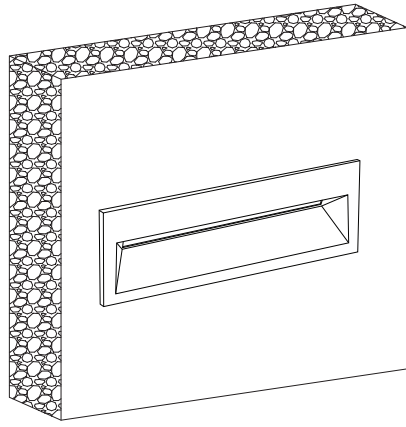
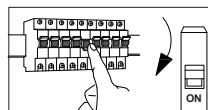
Adjust the locking clamp to fit the sleeve properly in the concrete.

⑤



Do the electrical connection using waterproof connector as shown in the image (Ground - YellowGreen, N - Blue, L - Red)

⑥

WARNINGS All electrical works must be done by a qualified electrician.
Turn off electrical power to all affected circuits before installation or servicing.
For any technical support contact LUMO® experts in info@lumo.ae