

LED RECESSED WALL LIGHT



Description

Stewal Series of outdoor recessed lighting fixtures characterized by either Asymmetrical beam angle or diffused beam spread. Both are available in two sizes, they are designed for lighting stairs, driveways and walkways with indirect light without glare. The body and is made of high oxidation-resistant Die-casting aluminum which is subjected to powder-coated body protected against UV rays, guaranteeing maximum protection over the years. Silicone gaskets around the light fixture ensure maximum sealing in all operating and humid conditions. The diffuser in micro-prism tempered glass, to assure a uniform distribution of light, is fixed by silicon directly to the body of the light. The product is installed in a rough-in housing made of PVC which is included in each order.

Correlated Color Temperature (CCT)

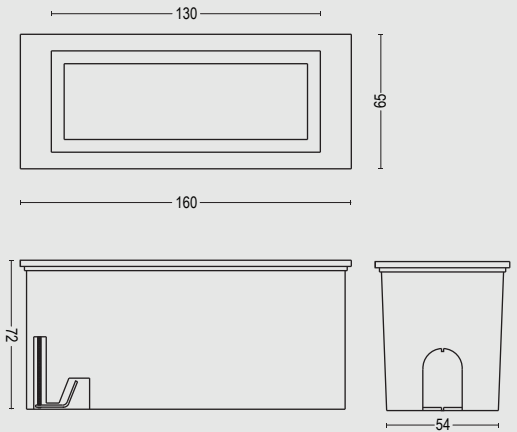
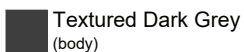


*Other color temperatures (CCT) can be made as per order.

Beam Angle



Color Finish



Electrical Features

Wattage	5W
Light Source	SMD LED
Output Lumen	425lm (3000K)
Input Voltage	220-240V AC, 50-60Hz
Color Rendering Index	CRI >90
LED Life Span	>50,000Hrs
Control	ON / OFF

Mechanical Features

Installation	Recessed Wall Installation
Body Material	Die Cast Aluminum
Diffuser	Frosted Glass
Sleeve Material	PVC (Included)
Ingress Protection	IP66
Impact Protection	IK 08
Weight	Net Wt. 0.5 kg
Dimension	L160 x D72 x H65 mm

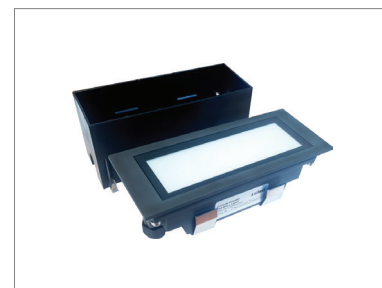
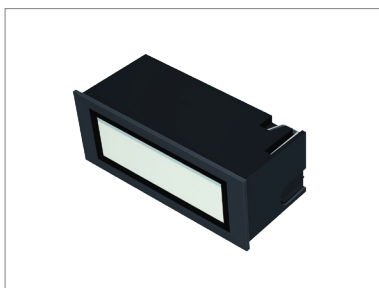
STEWAL SERIES - 107111




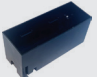
ORDER INFORMATION

Art. No.	Wattage (W)	Input (V)	Beam Angle	Color Temperature (CCT)	Lumen	Finish
10711132711002	5W	220-240V AC	110°	2700K	417lm	Textured Dark Grey
10711133011001				3000K	425lm	
10711134011001				4000K	442lm	
10711135011001				5000K	460lm	

Product Image



Accessories

CABLE CONNECTOR	BACK SLEEVE (INSTALLATION HOUSING)
	
IP68	PVC
Sold Seperate	Included

Application



Light Distribution

