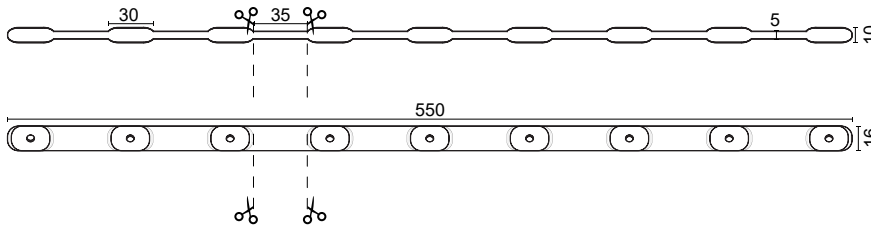


TREE MOUNTING SINGLE STRAP ACCESSORIES INSTALLATION INSTRUCTIONS

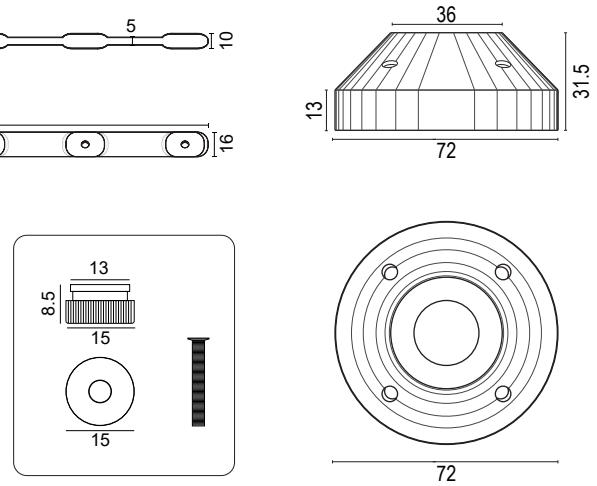


PART NO.	NO.OF LIGHT FIXTURES	MATERIAL
LUXXPACC-BRS21	1	Brass Bracket + Rubber Strap

Strap

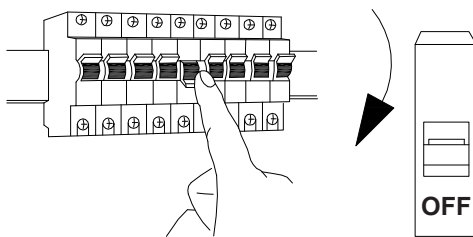


Bracket



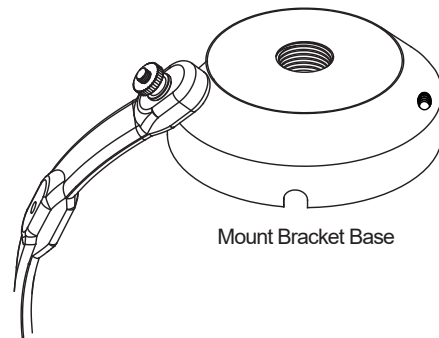
This product can be used for trees with a max Ø200mm trunk. In order to use the strap for smaller size of trees you can cut the rubber belt to match the size of the trunk accordingly.

1



Turn off electrical power to all affected circuits before installation

2



Fix the one bungee single strap to the brass bracket from one side.

— x 2

⊗ x 2

— x 1

WARNINGS All electrical works must be done by a qualified electrician.
Turn off electrical power to all affected circuits before installation or servicing.
For any technical support contact LUMO® experts in info@lumo.ae

TREE MOUNTING SINGLE STRAP ACCESSORIES INSTALLATION INSTRUCTIONS



3

Insert the light into the brass bracket and take out the wire into the bracket

4

Make sure the size of the belt is according to the size of the trunk. you can cut the rubber belt to match the size of the trunk accordingly.

5

Take cable connection with waterproof I-connector to 12V transformer.

6

Turn on the light after installation.

WARNINGS All electrical works must be done by a qualified electrician.
Turn off electrical power to all affected circuits before installation or servicing.
For any technical support contact LUMO® experts in info@lumo.ae