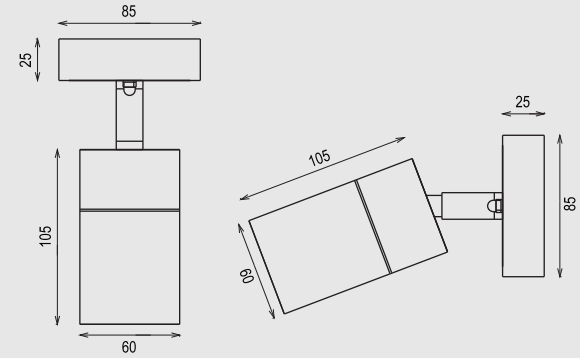


GU10 LAMP BASED WALL LIGHT

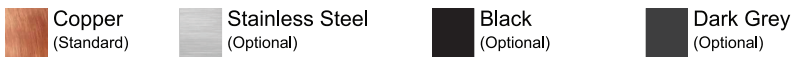


Description

Berno is our Copper and Brass adjustable surface mounted wall light which can be used for both applications of outdoor and indoor. A specially designed lens of LUMO LAMP which is used in Berno series guarantees maximum magnification for a good spread of light.

Berno is compact in design and it has a feature of dimming as per order for architectural lighting purposes. This light is ideal for outdoor wall fixing for doors, entrances and general external lighting. Electric power connection is by 12V or 220 volt internal connector block existing at the base of the light.

Color Finish



Electrical Features

Lamp type	MR16/GU10
Class	I
Control	On / Off

* Control is on/off (phase dimming is an option as per order)

Mechanical Features

Installation	Wall Mounted / Pergola / Column
Body Material	Copper + Brass
Diffuser	Clear Tempered Glass
IP rating	IP66
Weight	Net wt. 0.65 kg

PRODUCT ORDER INFORMATION

Art. No.	Lamp Type	Color Finish	Body Material	IP Rating
LU006SPCO-BR01	MR16/GU10	Copper	Copper + Brass	IP66
		Stainless Steel		
		Black		
		Dark Grey		

Lamp Option

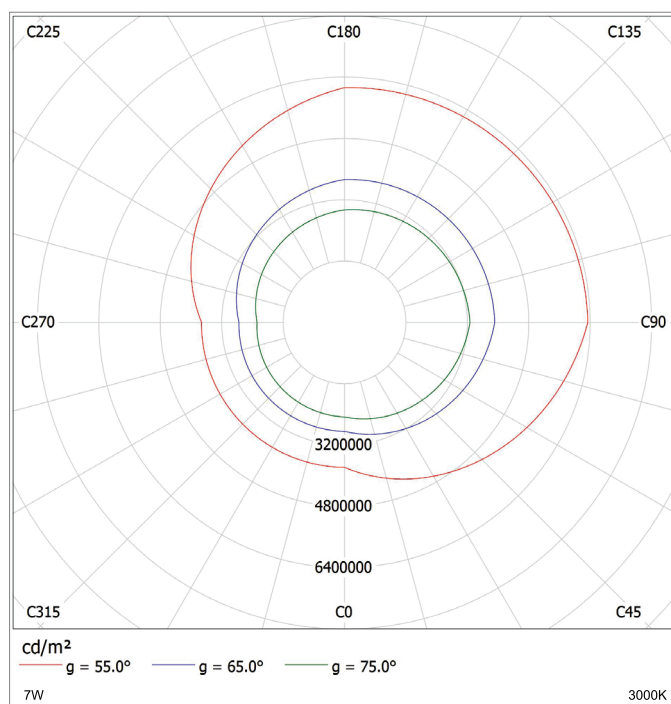


Lamp shape	MR16
Lamp base	GU10
Lumen	80-90lm/Watt
Diffuser	PMMA Lens
Weight	0.085 kg
Dimensions	D 50mm x H 60mm

LAMP ORDER INFORMATION

Art. No.	Wattage (W)	Input (V)	Beam Angle	Color Temperature (CCT)	CRI	IP Rating
01500132704506	7W	220V AC	45°	2700K	90	IP65
01500133004506				3000K		
01500134004506				4000K		
01500135504506				5500K		

Lamp Distribution



Accessories



Application



Project : Dubai , Jumeirah Island , Private Villa