

RECESSED CURVED INGROUND LIGHT



Description

A very versatile Flush Mounted curved light without any frame this fixture has been made to be used on floor or ground where it is needed to be lit with different heights and Un-uniform shapes. The Light can be invisibly installed between your landscape elements, bushes, trees or around the pillars and will be blended well with your other elements. With two different asymmetric Beam angles, this fixture enables you to create the required effects of lighting as per project requirements. Thanks to the new technology of powder coating this luminaire has been treated well with a marine-grade of paint to withstand in salty soils for a long time. This product is suitable to be used in wet areas close to swimming pools, inside gardens with a grade of IP67. We have made two-sided cabling for power connections with waterproof connectors (IP68) for an easy connection from both sides. This light can be single but controllable with a DALI system as well as RGBW to be controlled with a master DMX512.

Correlated Color Temperature (CCT)



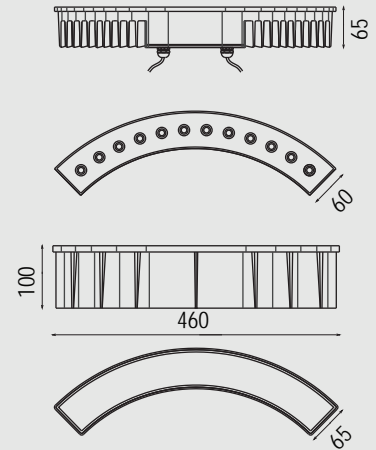
*Other Color Temperature can be made as per order.

Beam Angle



*Other Beam Angle can be made as per order.

Color Finish



Electrical Features

Wattage	12W
Light Source	CREE LED
Output Lumen	90lm (3000K)
Input Voltage	24V DC
Color Rendering Index	CRI >90
LED Life Span	80,000Hrs
Control	Dimmable

* Other control available Dali, 0-10, Phase dimming

Mechanical Features

Installation	Recessed Floor / Inground
Body Material	Die-cast Aluminum
Sleeve Material	ABS
Diffuser	High pressure tempered glass
Ingress Protection	IP67
Impact Protection	IK 10
Dimension	As per drawing

Product Images



Accessories

CABLE CONNECTOR	CABLE CONNECTOR	CABLE CONNECTOR	DECODER	LED DRIVER	GLASS SUCTION CUP	SLEEVE
IP68 2 way 3 pin connector <small>Sold Separately</small>	IP68 3 way 3 pin connector <small>Sold Separately</small>	IP68 4 way 3 pin connector <small>Sold Separately</small>	RGBW Decoder <small>Sold Separately</small>	24V LED Driver <small>Sold Separately</small>	2pcs Glass suction cup - Rubber <small>Included</small>	Mounting Sleeve <small>Included</small>

Installation Method



Application



Project: Dubai Hills, UAE