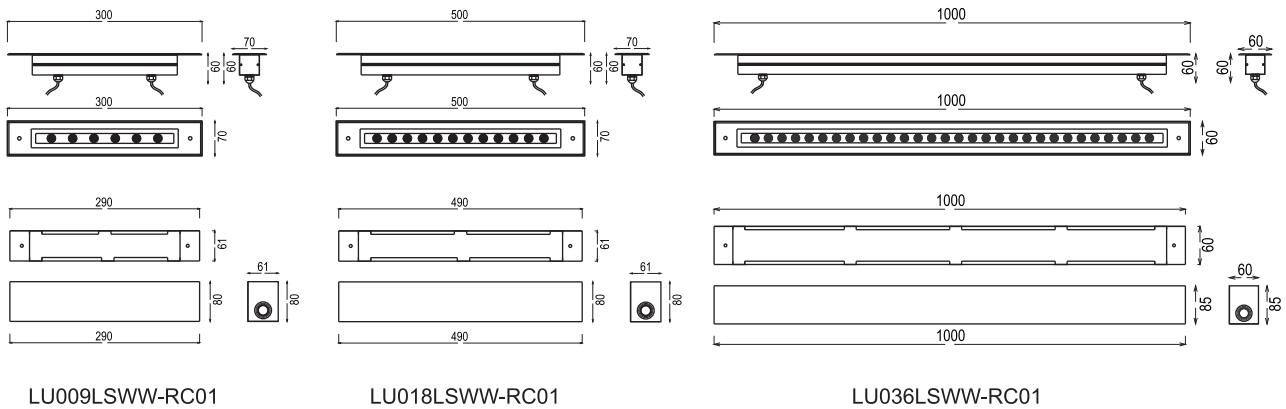


# LED WALL WASHER LIGHT INSTALLATION INSTRUCTIONS



PART NAME	INPUT VOLTAGE	MATERIAL	IP RATING
LU009LSWW-RC01 LU018LSWW-RC01 LU036LSWW-RC01	24V DC	Aluminum + Stainless steel 316	IP67

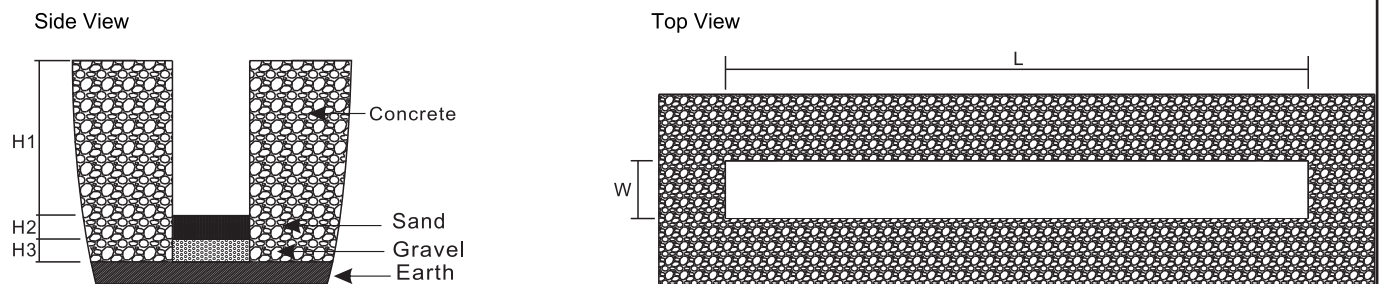
## 1 Product & Recessed Box Dimension



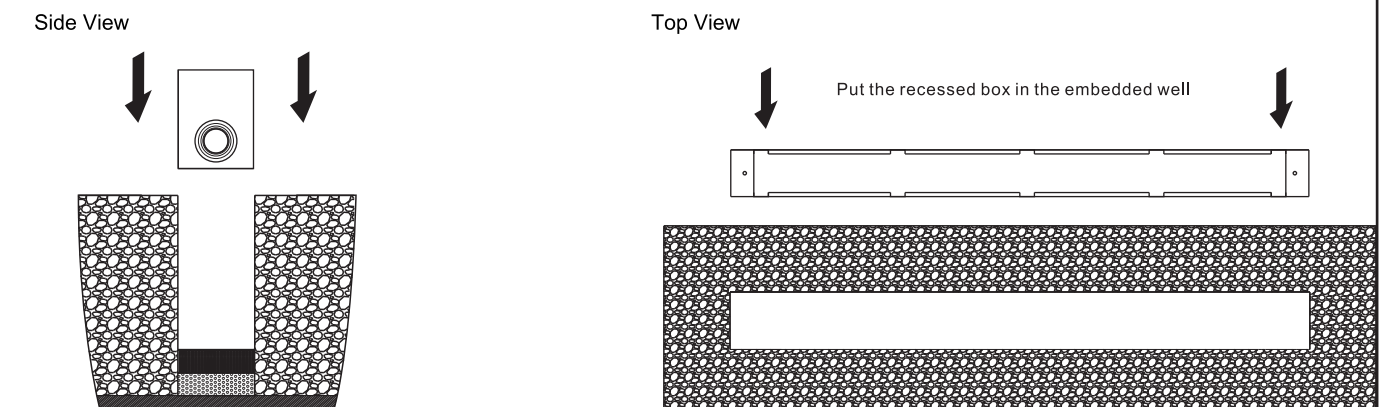
## 2 Installation Dimension maintenance process.

The below dimension is for reference only

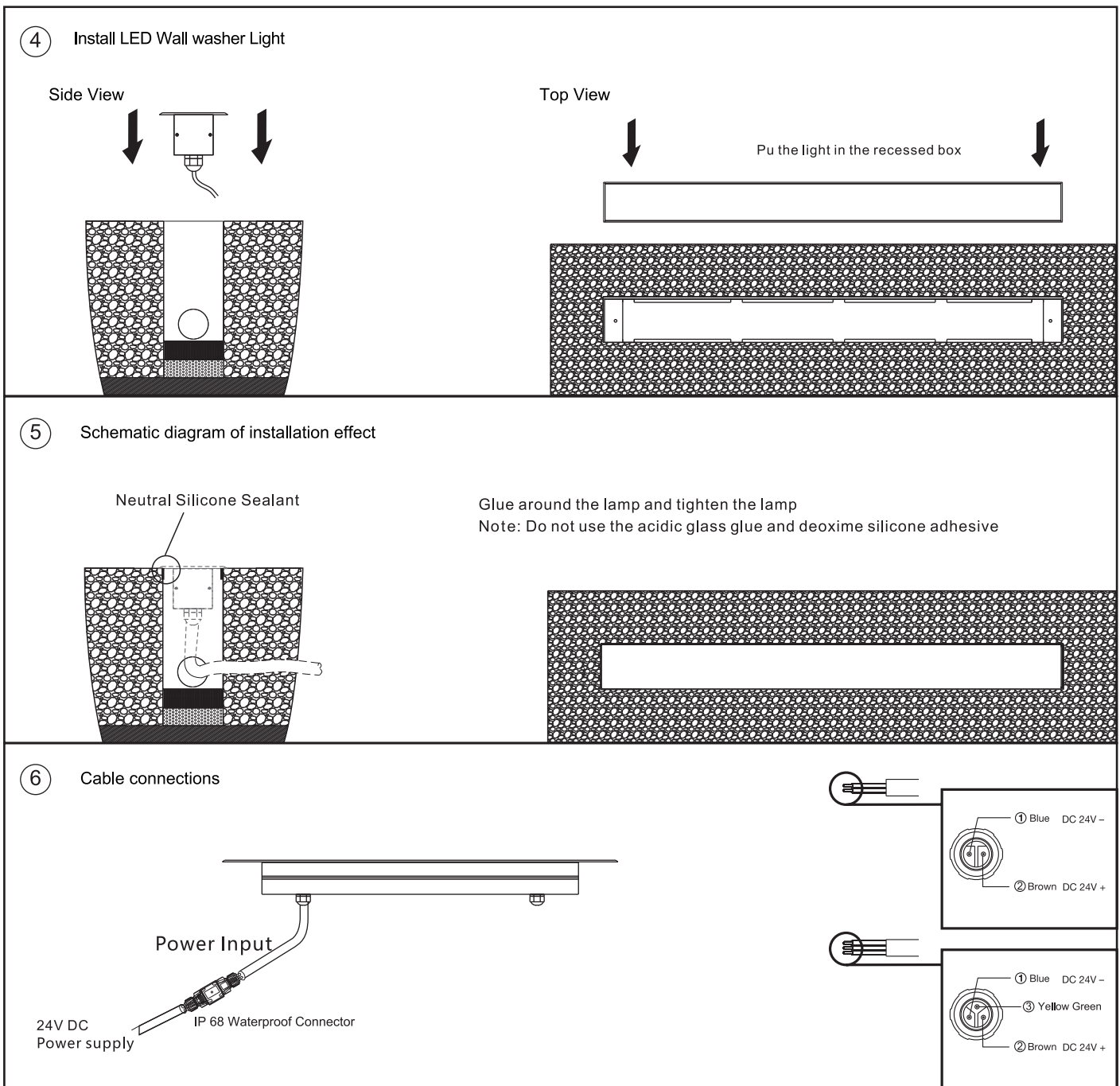
Embedded Well Dimension (mm)				
L	W	H1	H2	H3
290 / 490 / 1000	61	85	30	30



## 3 Install Recessed sleeve Box



# LED WALL WASHER LIGHT INSTALLATION INSTRUCTIONS



**Note :** This product is out of warranty if :

- 1-The installation method is not followed as per instruction-sheet
- 2-Installation material is not used properly
- 3-Waterproofing is not done as per instruction method
- 4-Waterproofing connectors are not used
- 5-The correct voltage is not used
- 6- If the light is permanently submerged in water
- 7- If drainage is not provided to drain the rain water

**Note :** To prevent any risk while doing installation of this product an electrical engineer need to install / supervise installation team.

## WARNINGS

This light is a low voltage light so contact LUMO for a proper driver / Transformer to be used.  
All electrical works must be done by a qualified electrician.  
Turn off electrical power to all affected circuits before installation or servicing.  
For any technical support contact LUMO® experts in [info@lumo.ae](mailto:info@lumo.ae)