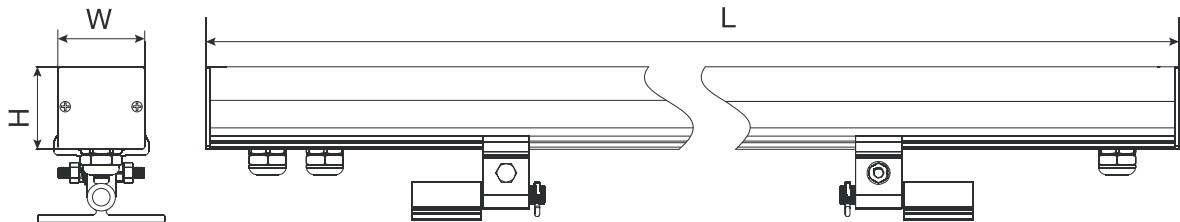


LED WALL WASHER LIGHT INSTALLATION INSTRUCTIONS

PART NAME	INPUT VOLTAGE	POWER	MATERIAL	IP RATING
LU010WW-RC01 LU018WW-RC01 LU036WW-RC01 LU006SWW-SM01 LU011SWW-SM02 LU021SWW-SM01 LU036HGWW-BK01 LU054HGWW-BK02 LU110HGWW-BK03	24V DC	10W 18W 36W 6W 11W 21W 36W 54W 110W	Aluminum	IP66

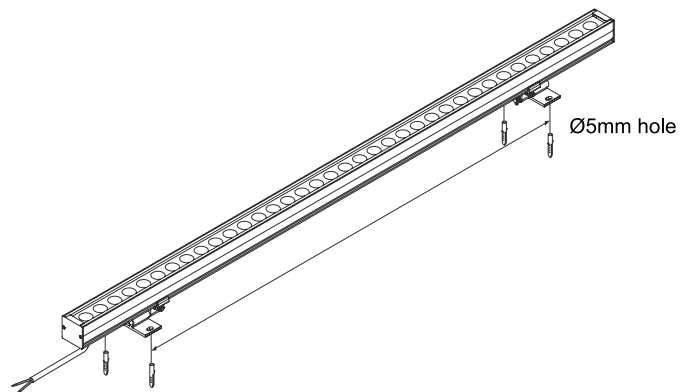
1 Product Dimension



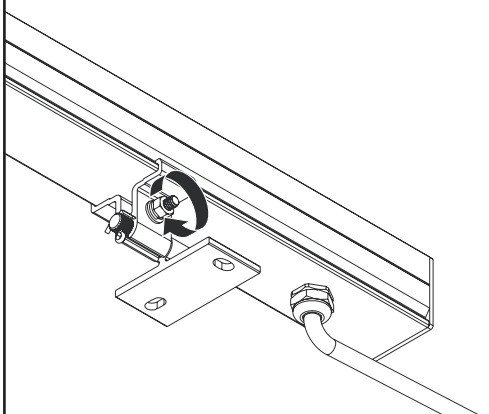
The below dimension is for reference only

Embedded Well Dimension(mm)

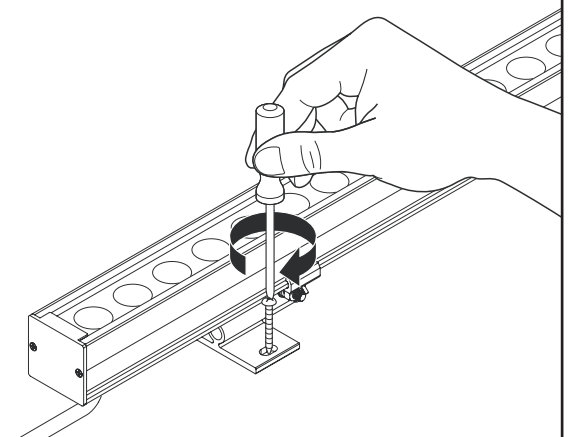
Length	Length	Width	Hight
LU010WW-RC01	300	36	38
LU018WW-RC01	500	36	38
LU036WW-RC01	1000	37	37
LU006SWW-SM01	300	22	27
LU011SWW-SM02	500	22	27
LU021SWW-SM01	1000	22	27
LU036HGWW-BK01	300	70	110
LU054HGWW-BK02	500	70	110
LU110HGWW-BK03	1000	70	110



2

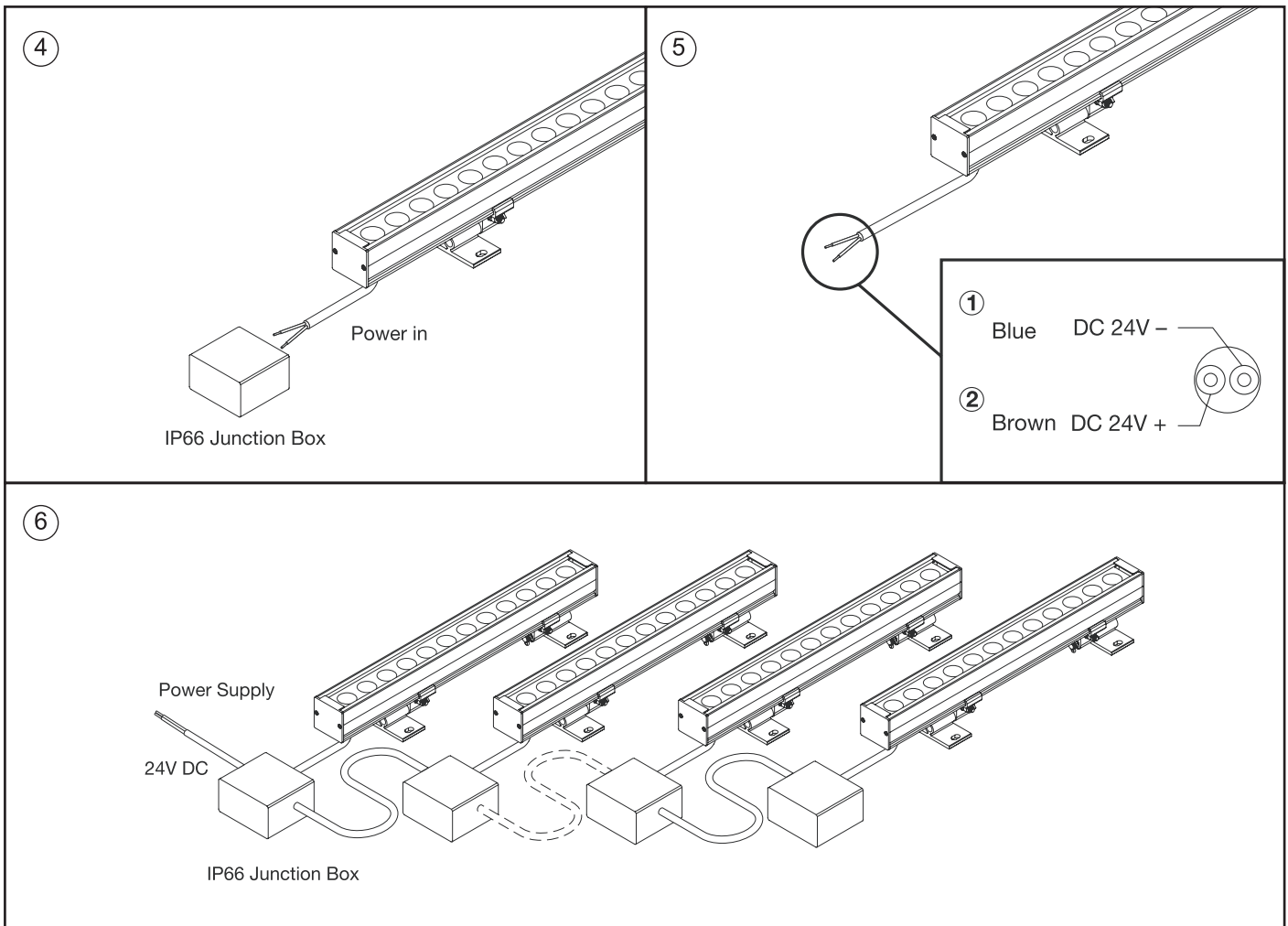


3



LED WALL WASHER LIGHT INSTALLATION INSTRUCTIONS

LUMO[®]



Note : This product is out of warranty if :

- 1-The installation method is not followed as per instruction-sheet
- 2-Installation material is not used properly
- 3-Waterproofing is not done as per instruction method
- 4-Waterproofing connectors are not used
- 5-The correct voltage is not used
- 6- If the light is permanently submerged in water
- 7- If drainage is not provided to drain the rain water

Note : To prevent any risk while doing installation of this product an electrical engineer need to install / supervise installation team.

WARNINGS

This light is a low voltage light so contact LUMO for a proper driver / Transformer to be used.
All electrical works must be done by a qualified electrician.
Turn off electrical power to all affected circuits before installation or servicing.
For any technical support contact LUMO[®] experts in info@lumo.ae