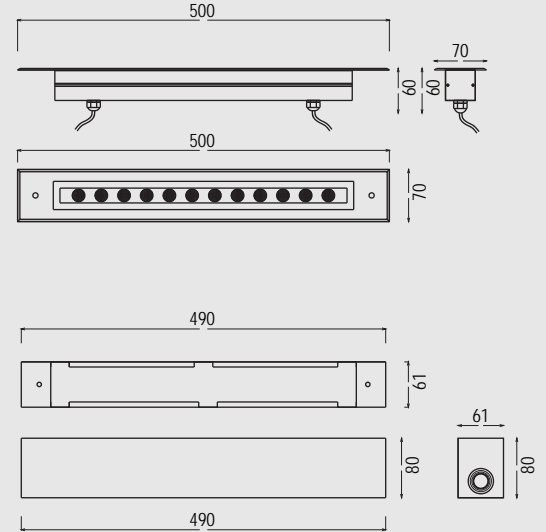
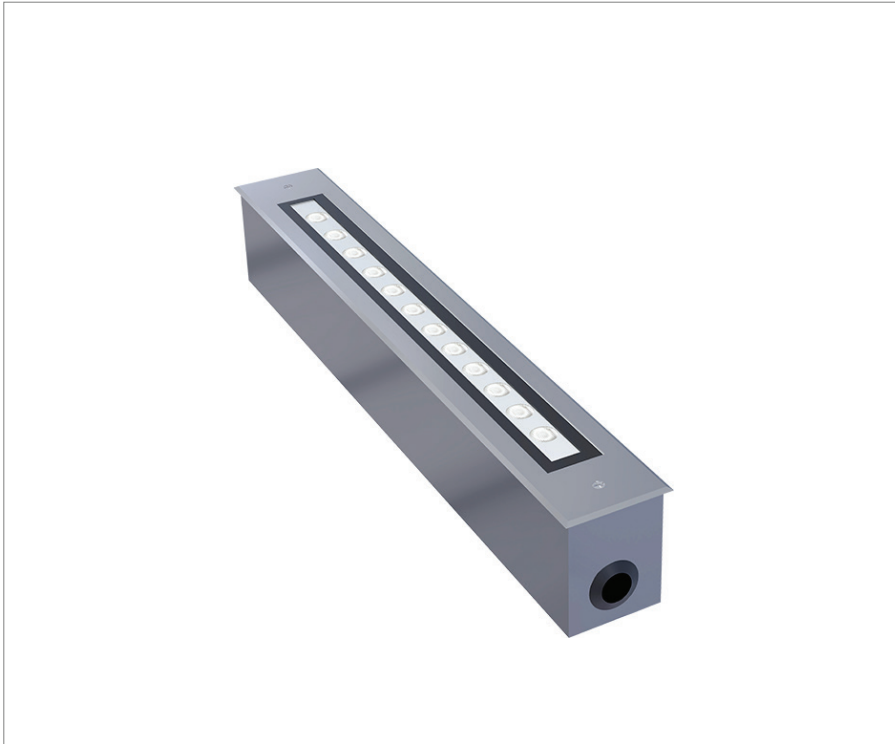


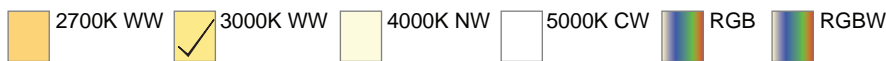
RECESSED LINEAR WALL WASHER LIGHT



Description

With a very slim recessed in-ground mounted light design, this fixture has been made to be used on the floor or ground where it is needed to be lit with different heights and uniform shapes. The Light can be installed between your landscape elements, bushes, and trees or be used to light up façades or walls as a wall grazer (wall washer). With two different asymmetric Beam angles and other narrow/wide optics, this fixture enables you to create the required effects of lighting as per project requirements. Thanks to the new technology of powder coating this luminaire has been treated well with a marine-grade of paint to withstand salty soils for a long period of time. This product is suitable to be used in wet areas close to swimming pools, inside gardens with a grade of IP67. We have made two-sided cabling for power connections with waterproof connectors (IP68) for an easy connection from both sides. This light can be in a single color temperature, controllable with the DALI system as well as RGBW to be controlled with a master DMX512.

Correlated Color Temperature (CCT)



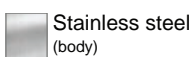
*Other color temperatures (CCT) can be made as per order.

Beam Angle



*Other Beam Angle can be made as per order.

Color Finish



Electrical Features

Wattage	18W
Light Source	CREE LED
Output Lumen	1620lm
Input Voltage	24V DC
Color Rendering Index	>80
LED Life Span	>50,000Hrs
Control	On/Off, DALI dimmable

*Other control methods can be made as per order

Mechanical Features

Installation	Recessed floor
Body Material	Aluminum
Frame Material	Stainless steel 316L
Diffuser	Clear tempered glass
Ingress Protection	IP67
Impact Protection	IK10
Dimension	As per drawing

Accessories

CABLE CONNECTOR	CABLE CONNECTOR	CABLE CONNECTOR	DECODER	LED DRIVER
				
IP68 2 way 3 pin connector <small>Sold Separately</small>	IP68 3 way 3 pin connector <small>Sold Separately</small>	IP68 4 way 3 pin connector <small>Sold Separately</small>	RGBW Decoder <small>Sold Separately</small>	24V LED Driver <small>Sold Separately</small>

Application

