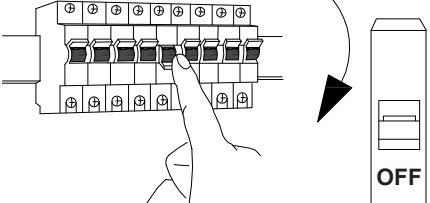


# SQUARE CEILING SURFACE MOUNTED DOWN LIGHT **LUMO**<sup>®</sup>

## INSTALLATION INSTRUCTIONS

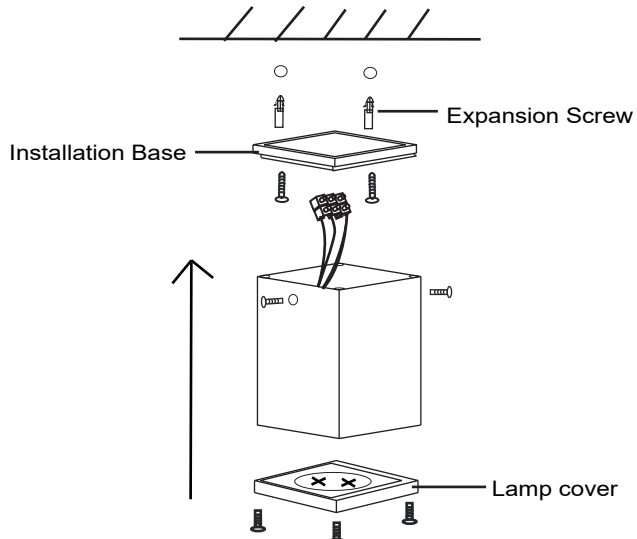
PART No.	LAMP TYPE	IP RATING
LU006CLDN-SQ01	6W	IP65

①



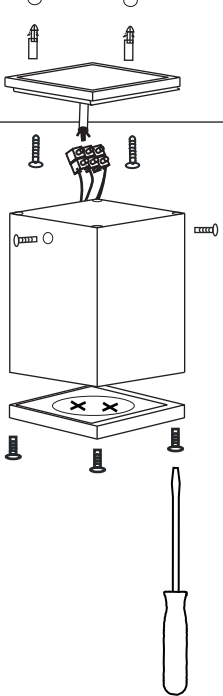
Always make sure the power is disconnected before doing any electrical job.

②



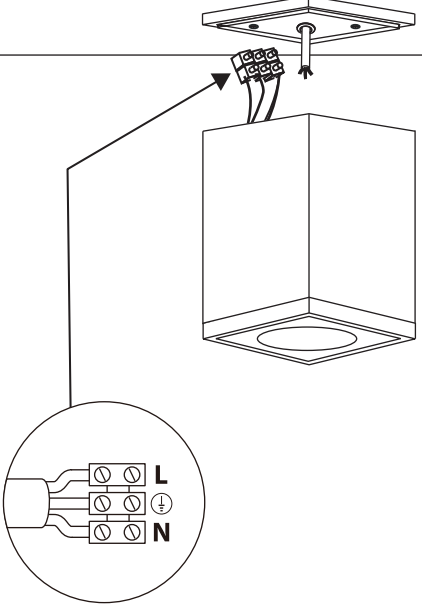
Remove the bracket of the light from the fixture using an Allen key.

③



Make two holes in the wall and put the fishers in it according to the bracket fixation points and pass the power extended wire from the hole of the bracket and fix the bracket to the wall using the provided screws.

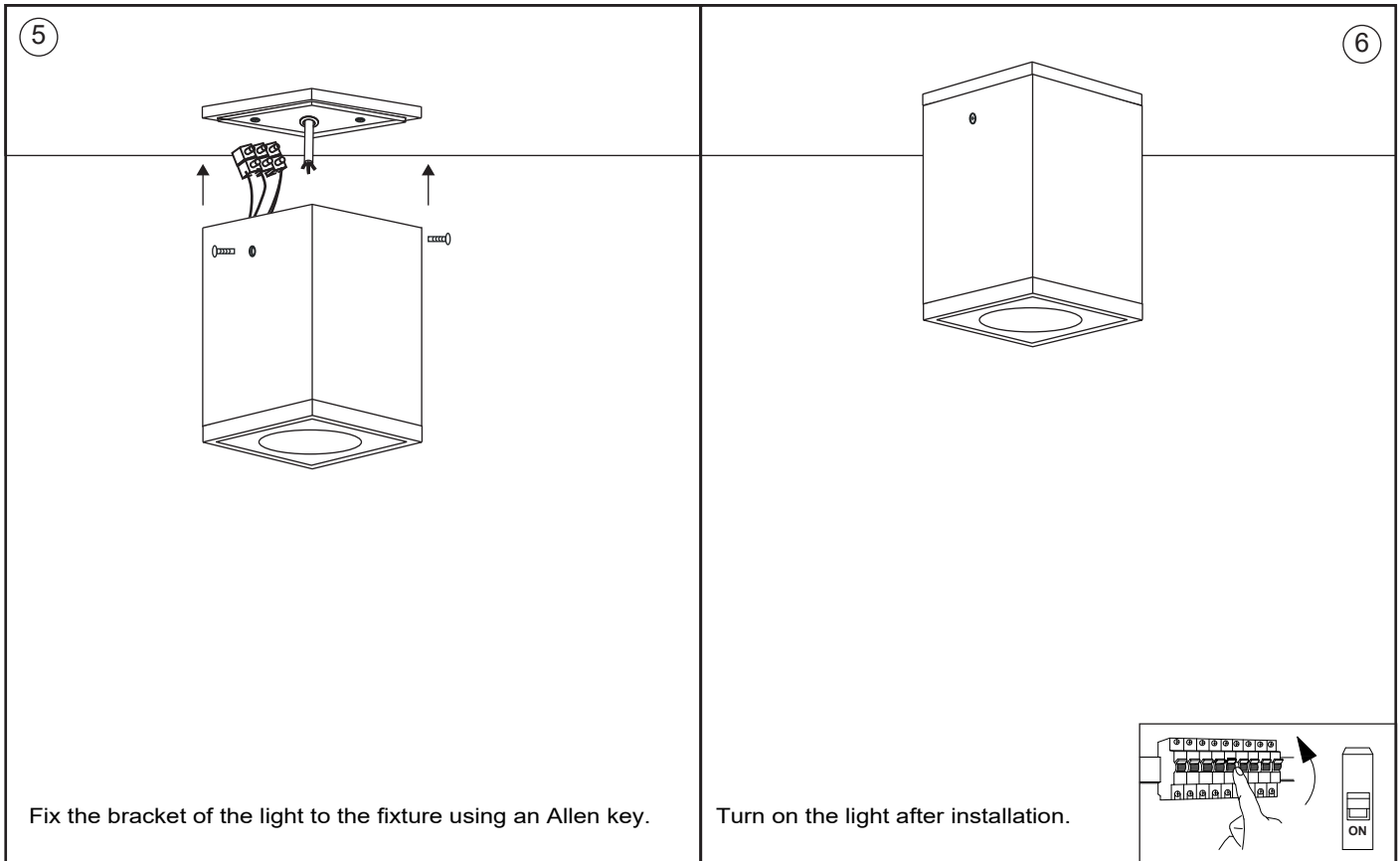
④



Connect the power cable to the provided terminal board

# SQUARE CEILING SURFACE MOUNTED DOWN LIGHT **LUMO**<sup>®</sup>

## INSTALLATION INSTRUCTIONS



Note : This product is out of warranty if :

- 1-The installation method is not followed as per instruction-sheet
- 2-Installation material is not used properly
- 3-Waterproofing is not done as per instruction method
- 4-Waterproofing connectors are not used
- 5-The correct voltage is not used
- 6- If the light is permanently submerged in water
- 7- If drainage is not provided to drain the rain water

Note : To prevent any risk while doing installation of this product an electrical engineer need to install / supervise installation team.

### **WARNINGS**

This light is a low voltage light so contact LUMO for a proper driver / Transformer to be used.  
All electrical works must be done by a qualified electrician.  
Turn off electrical power to all affected circuits before installation or servicing.  
For any technical support contact LUMO<sup>®</sup> experts in [info@lumo.ae](mailto:info@lumo.ae)