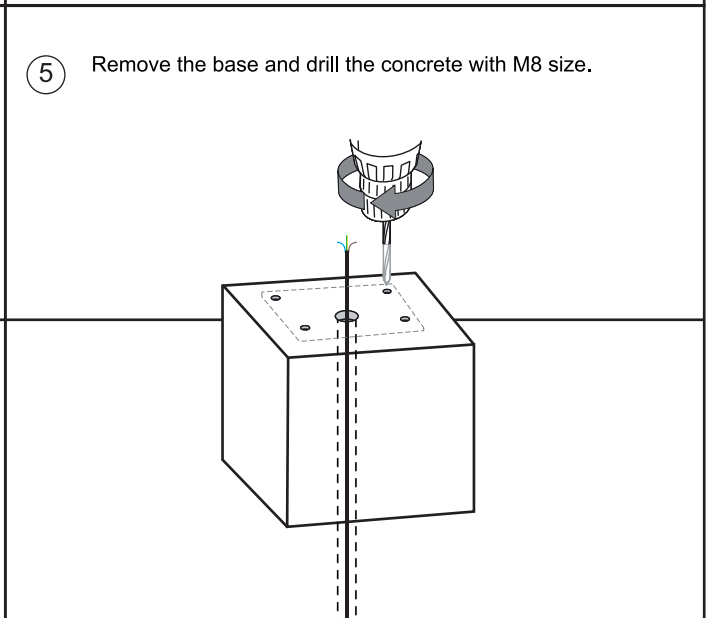
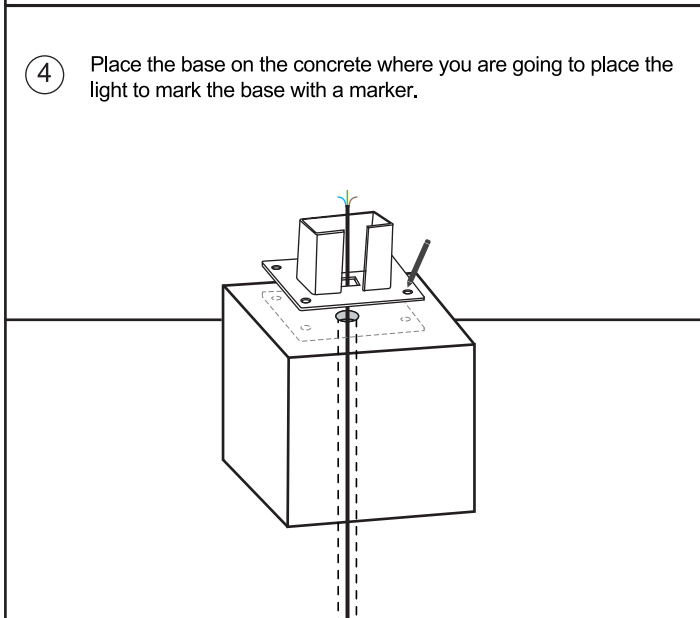
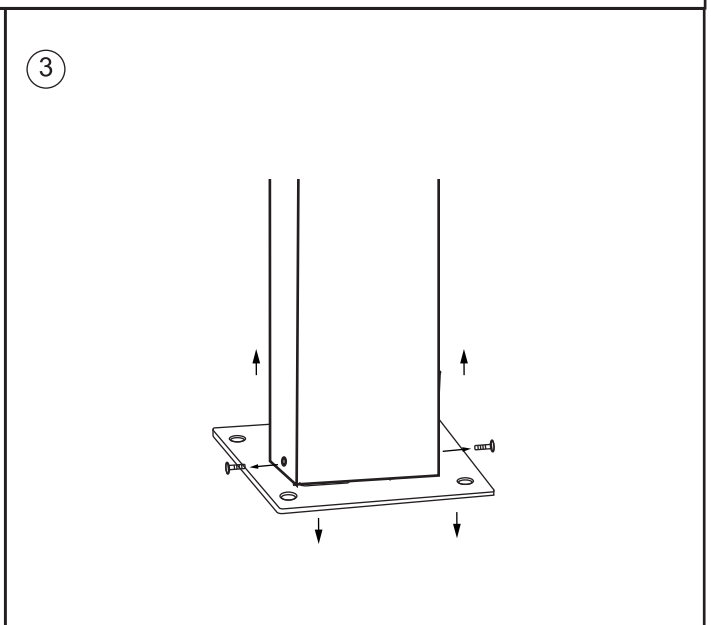
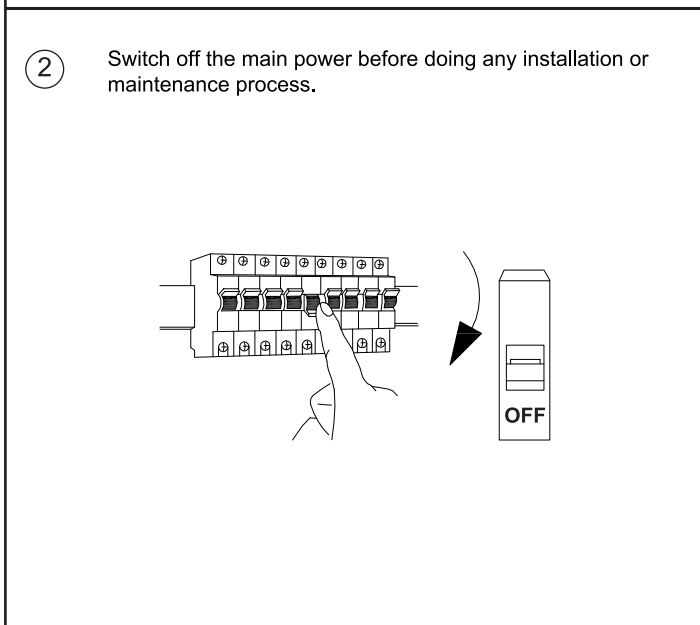
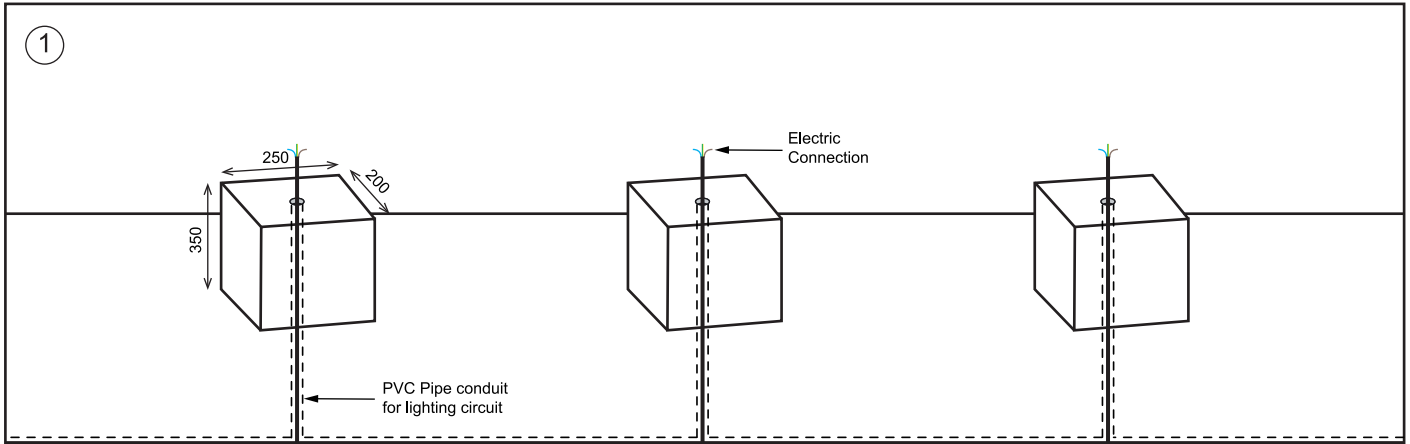


LED BOLLARD LIGHT INSTALLATION INSTRUCTIONS

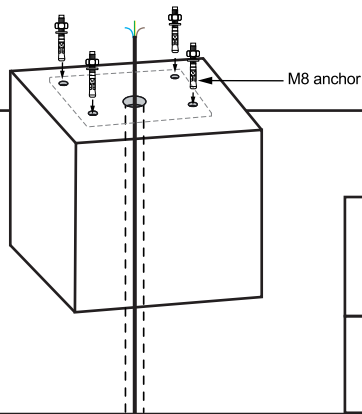


PART NAME	INPUT VOLTAGE	MATERIAL	IP RATING
LU007BLIT-LS02	190-240V AC, 50/60Hz	Die-cast Aluminum + Temp. Glass Diffuser	IP65

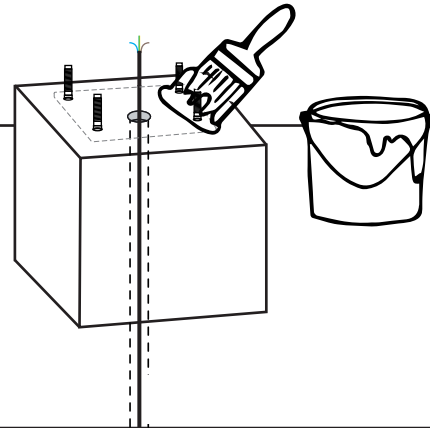


LED BOLLARD LIGHT INSTALLATION INSTRUCTIONS

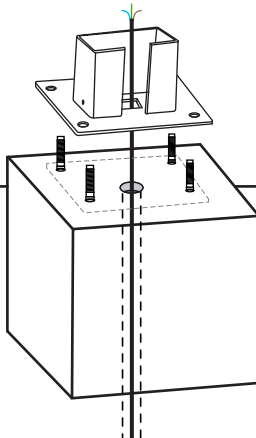
6 Put the M8 anchors in the drilled holes and tighten them well.



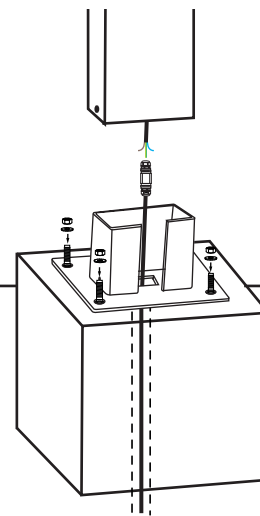
7 Paint the concrete base with marine-grade paint or use epoxy to make the base water and salt proof to prevent the base be in touch with the ground directly.



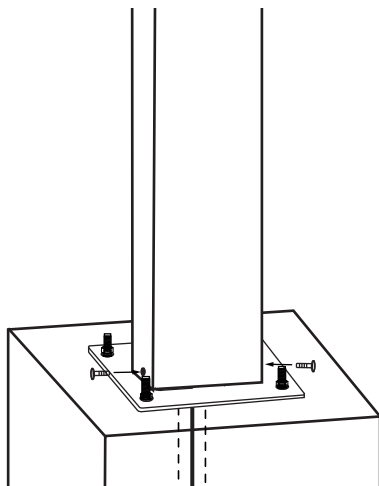
8 Put the bracket on the fixed anchors and take out electrical wire.



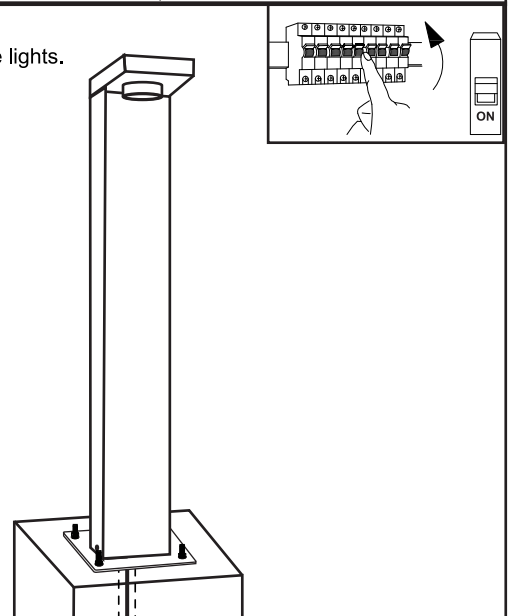
9 Connect the wires using existing waterproof I-connector.



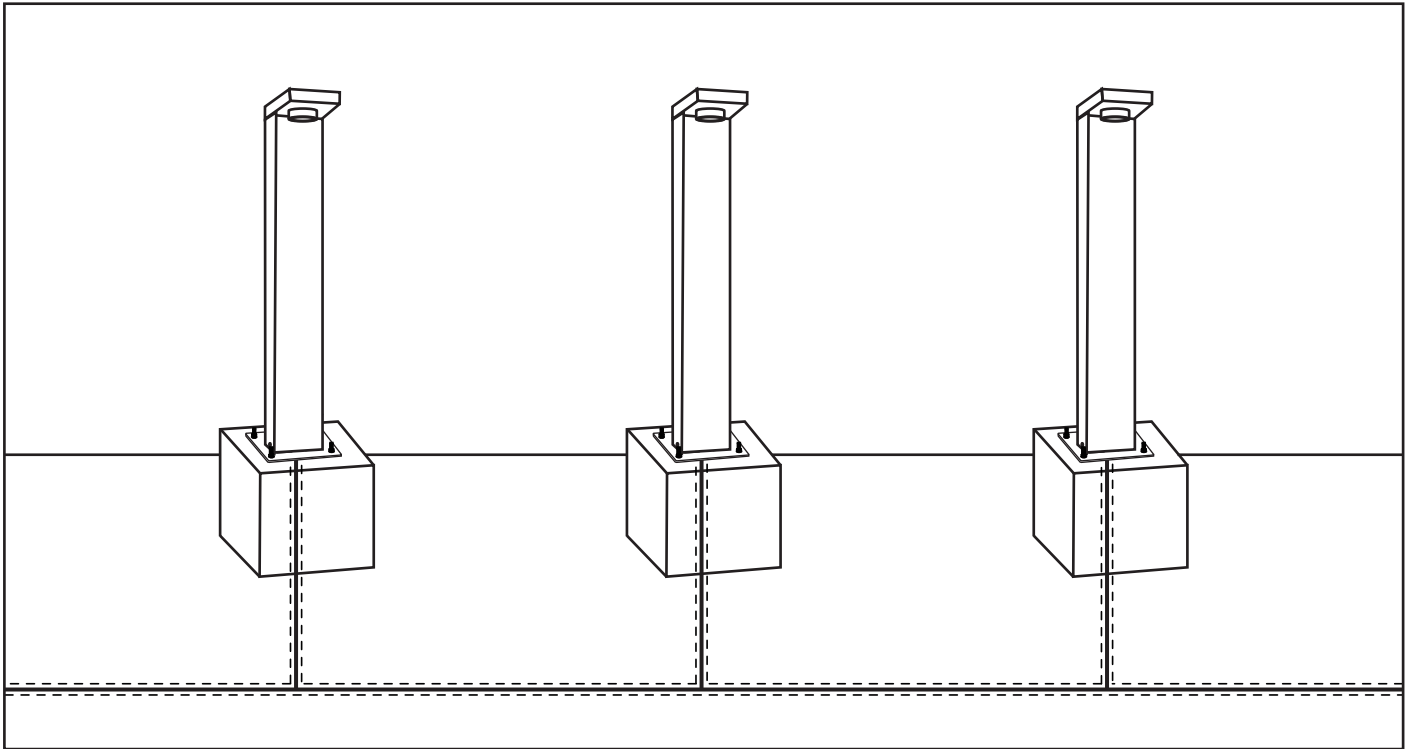
10



10 turn on the lights.



LED BOLLARD LIGHT INSTALLATION INSTRUCTIONS



Note : This product is out of warranty if :

- 1-The installation method is not followed as per instruction-sheet
- 2-Installation material is not used properly
- 3-Waterproofing is not done as per instruction method
- 4-Waterproofing connectors are not used
- 5-The correct voltage is not used
- 6- If the light is permanently submerged in water
- 7- If drainage is not provided to drain the rain water

Note : To prevent any risk while doing installation of this product an electrical engineer need to install / supervise installation team.

WARNINGS

This light is a low voltage light so contact LUMO for a proper driver / Transformer to be used.
All electrical works must be done by a qualified electrician.
Turn off electrical power to all affected circuits before installation or servicing.
For any technical support contact LUMO® experts in info@lumo.ae