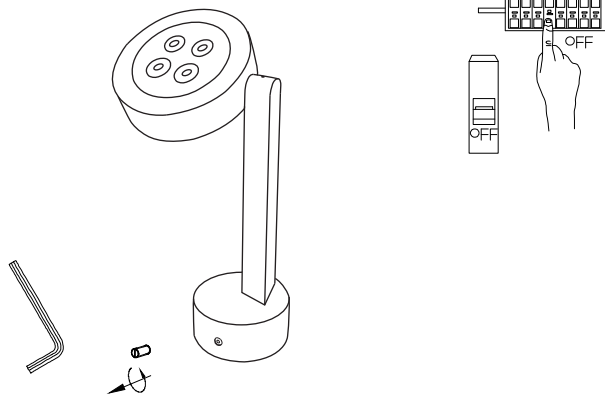


# INSTALLATION MANUAL

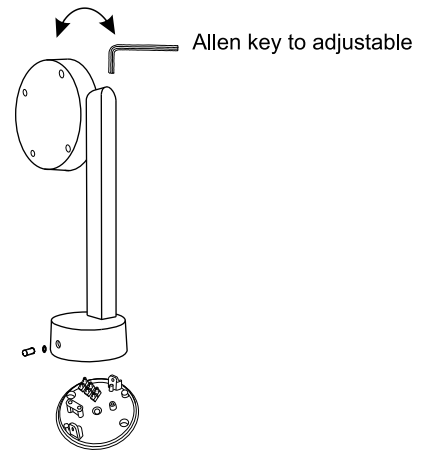
OUTDOOR ADJUSTABLE LED GARDEN LIGHT

LUMO®

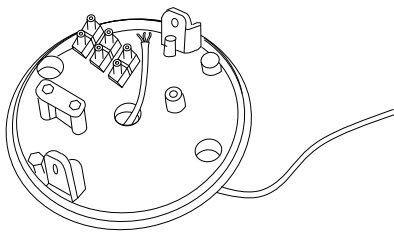
## LU011GFL-RM01



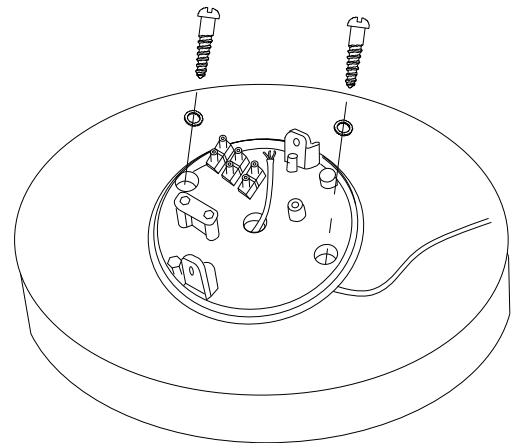
1. Turn Off the power and remove screws from both side take out the fixing bracket.



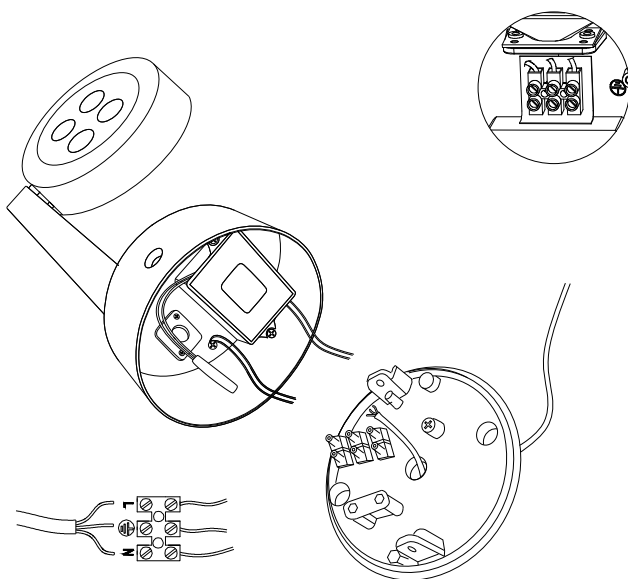
2. Remove the bracket form the light.



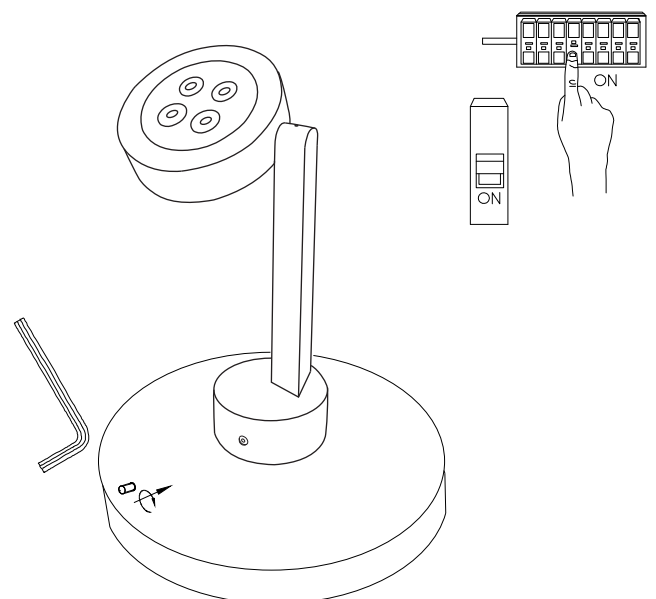
3. Take the power connection inside through the centre hole



4. Fix the bracket on desired surface using the screws.



5. Make the electrical connections as show in the figure.



6. Insert light into bracket and tighten the screws from both side with allen key.