

PHOTOELECTRIC CONTROL



Description

Energy Saving: With the electrical heating structure, the photocell light sensor can automatically switches on lights at dusk and off at dawn, saving energy and providing convenience without manual operation.

Easy Installation: The photocell light sensor just needs to be plugged in a base, and then twist the lock plug for quick installation.

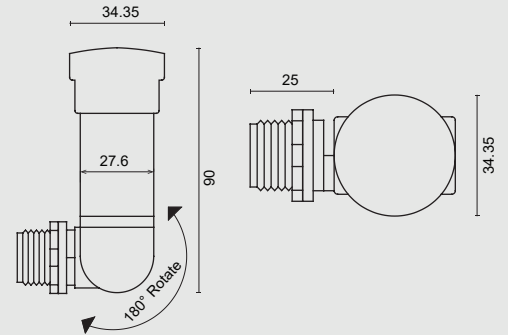
IP 65 Waterproof: The case is made from high quality polycarbonate, which is corrosion-resistant and waterproof to ensure longer life.

Wide Usage: The photocell sensor can be applied to control the outdoor lighting, exterior lighting, street lighting, passage lighting, and doorway lighting automatically according to the lighting level.

Color Finish



Black



Electrical Features

Input Voltage	220-240V AC, 50-60Hz
Input Current	8.1A Max
Load Power Rate	1800W
Power Consumption	1.5W
Time Delay	30~120sec
Working Temp.	-30°C ~ 60°C
Dimmability	No
Control	ON-OFF Level 10~20 lux ON (Dusk) 30~60 lux OFF (Dawn)

Mechanical Features

Installation	Plug-in
Test Cap	Available
Adjustment Screw	Available
Body Material	PVC
Weight	0.70 kg
Dimension	As per drawing