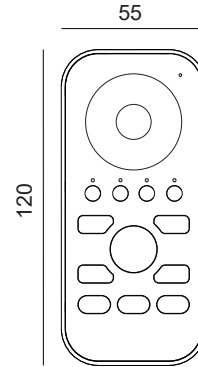


RF RGBW REMOTE CONTROLLER



Features

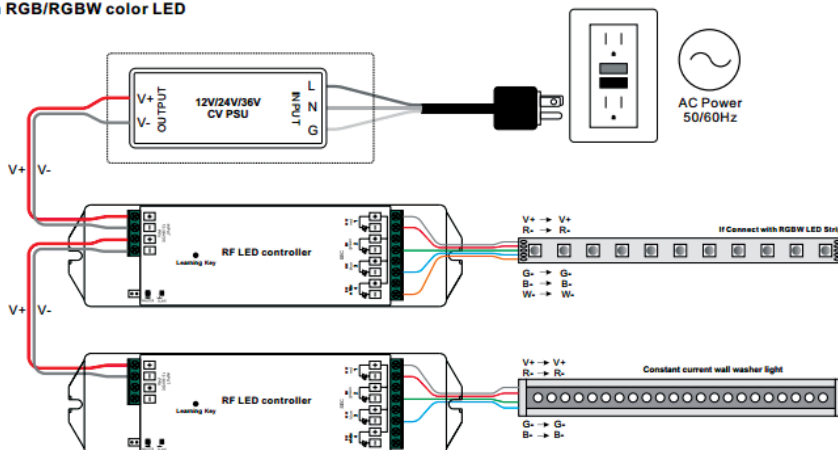
- Control 4 zones of RF receivers separately.
- High sensitive & high stable, fast & precise color control.
- RGBW color controller
- Compatible with all universal series RF receivers
- 1 receiver can be paired by max 8 different remote controls.

Product Specification

Installation	Power Supply	Operation Frequency	Dimension(mm)	Remarks
LU4Z-28W119	4.5V(3xAAA battery)	869.5/916.5/434MHz	120 x 55 x 17	RF Signal

Receiver Wiring Diagram

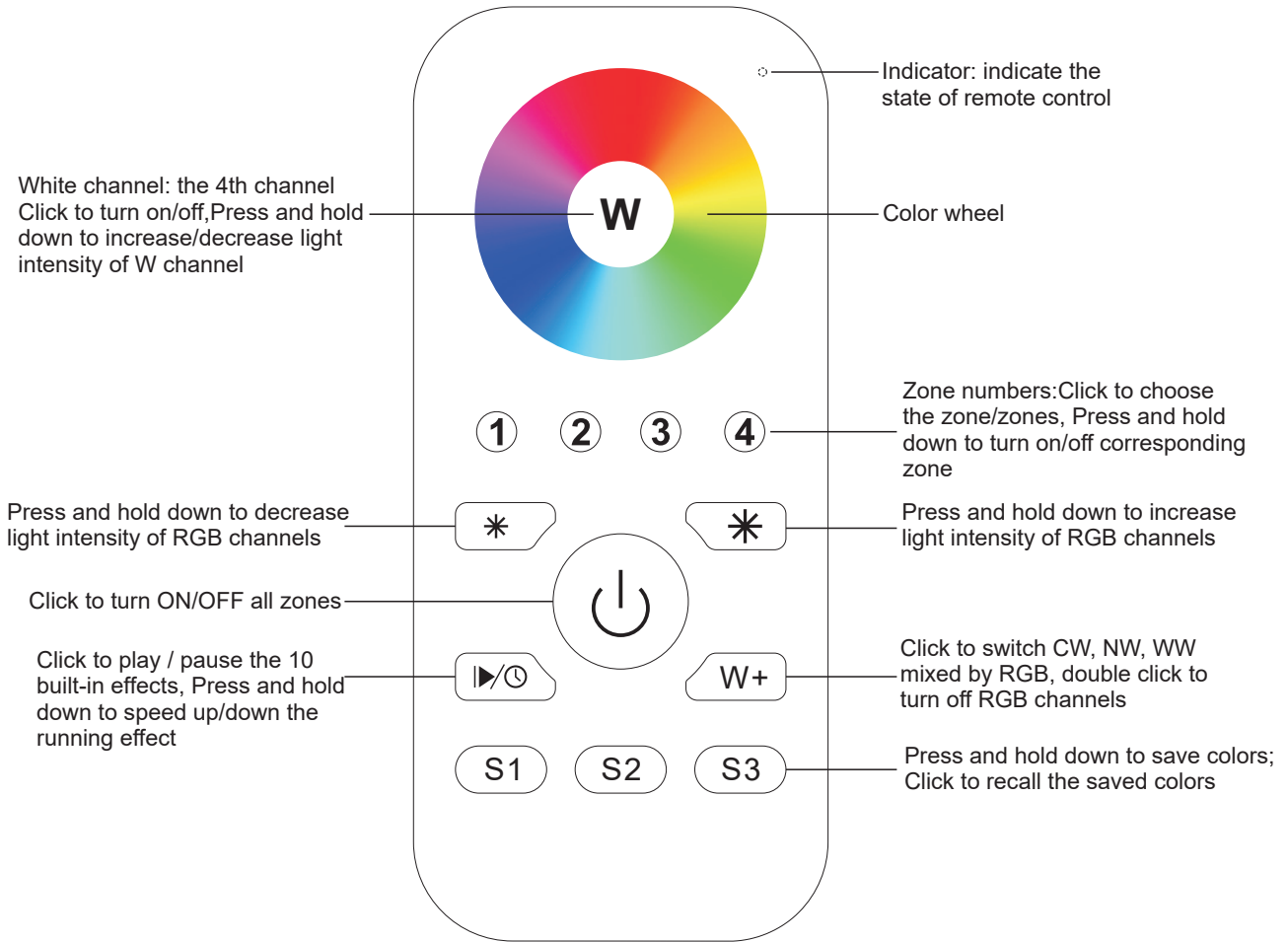
With RGB/RGBW color LED



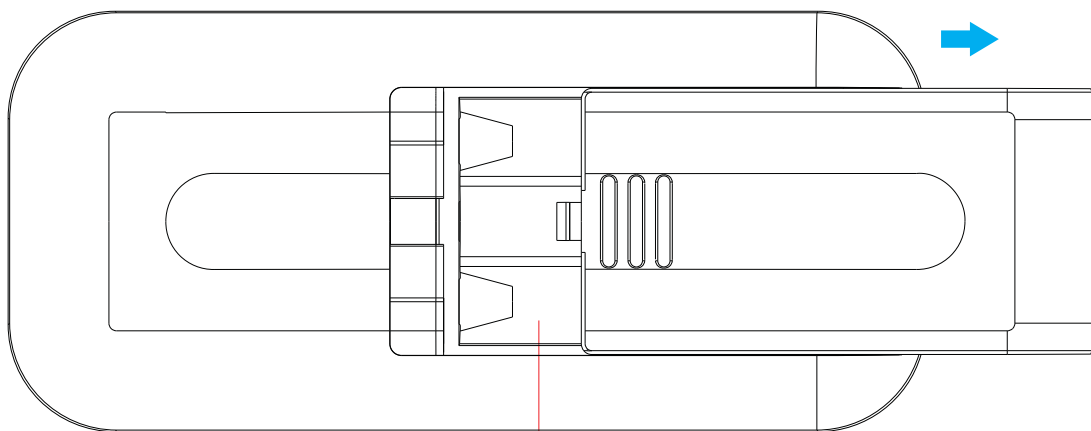


Important Read All Instructions Prior to Installation

Function introduction



Front side



4.5V(3xAAA battery)

Bottom side

Product Data

Output	RF signal
Operation Frequency	869.5/916.5/434MHz
Power Supply	4.5V(3xAAA battery)
Operating temperature	0-40°C
Relative humidity	8% to 80%
Dimensions	120x55x17mm

- Control 4 zones of RF receivers separately.
- RGBW color controller
- High sensitive & high stable, fast & precise color control.
- Compatible with all universal series RF receivers
- 1 receiver can be paired by max 8 different remote controls.
- Waterproof grade: IP20

Safety & Warnings

- This device contains AAA batteries that shall be stored and disposed properly.
- DO NOT expose the device to moisture.

Pair with RF receiver(Method 1)



Step 1: Do wiring the RF receiver according to wiring diagram (please refer to the instruction of RF receiver that you would like to pair with).

Step 5: Touch the color wheel, LED lights connected with the RF receiver flicker once means the receiver is paired with zone 4 successfully.

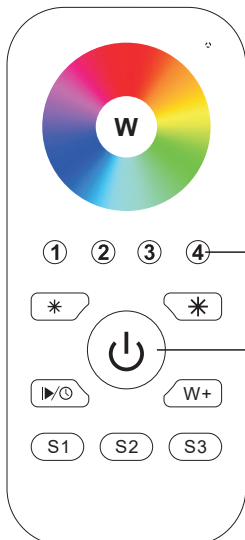
Step 4: Choose and click a zone number (e.g. zone 4)

Step 2: Click ON/OFF button to activate the remote



Step 3: Click the "Learning Key" button on RF receiver or re-power on the receiver three times continuously to set it into pairing status

Pair with RF receiver(Method 2)



Step 1: Do wiring the RF receiver according to wiring diagram (please refer to the instruction of RF receiver that you would like to pair with).

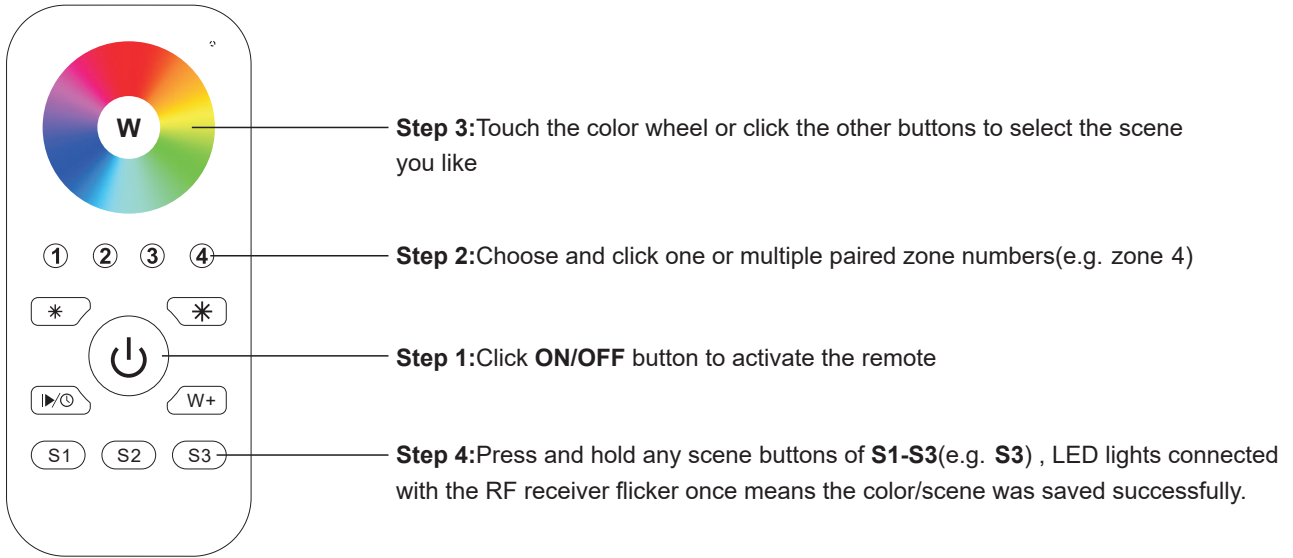
Step 4: Choose and click a zone number (e.g. zone 4) twice, then press and hold it continuously and quickly within 10 seconds, LED lights connected with the RF receiver flicker once means the receiver is paired with zone 4 successfully.

Step 2: Click ON/OFF button to activate the remote

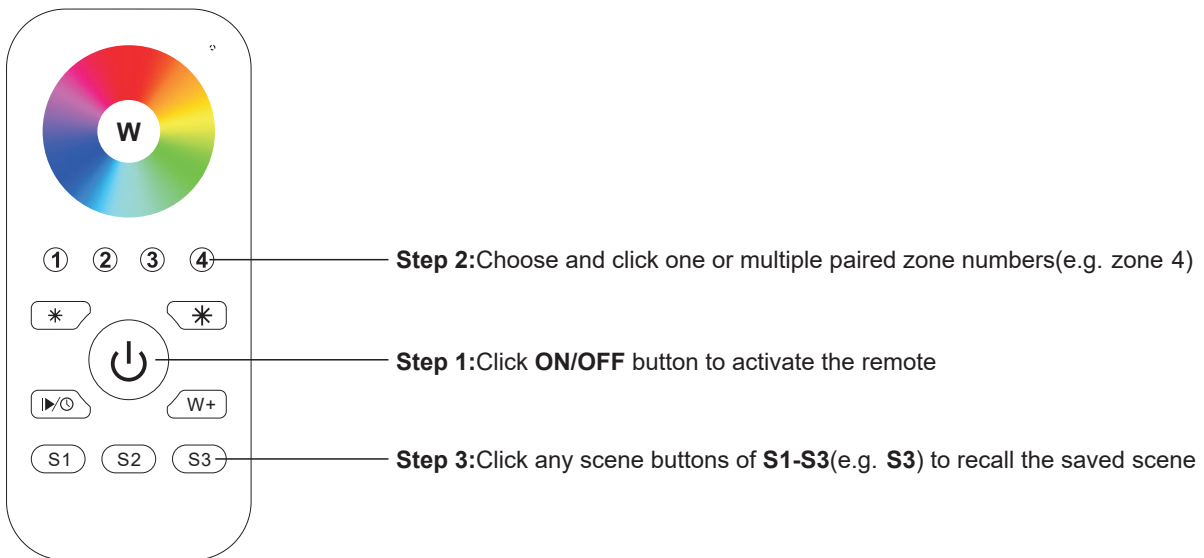


Step 3: Power off and power on the receiver

Save color/scene/mode

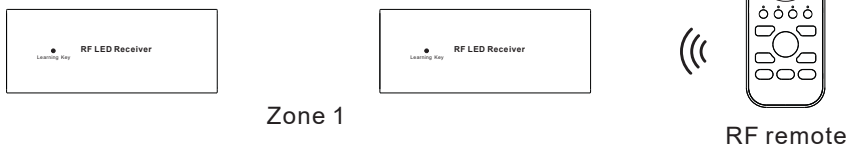


Recall the saved colors/scenes

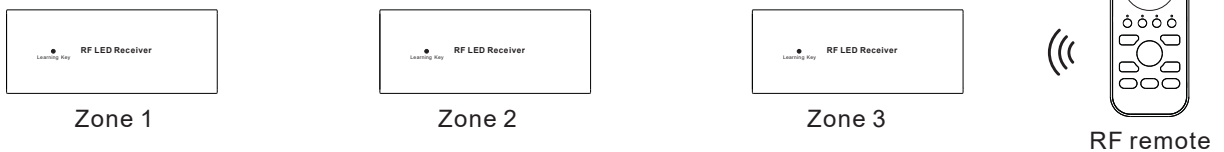


If you use multiple receivers, you have two choices:

Option 1: have all the receivers in the same zone, like zone 1



Option 2: have each receiver in a different zone, like zone 1, 2, 3 or 4



Built-in 10 color changing modes are as follows:

Mode 1: Any two colors of RGB mix fade-in & fade-out

Mode 2: RGB three colors mix fade-in & fade-out

Mode 3: RGB three colors mix fade-out & fade-in

Mode 4: RGB flash

Mode 5: RGB three colors fade-in & fade-out successively

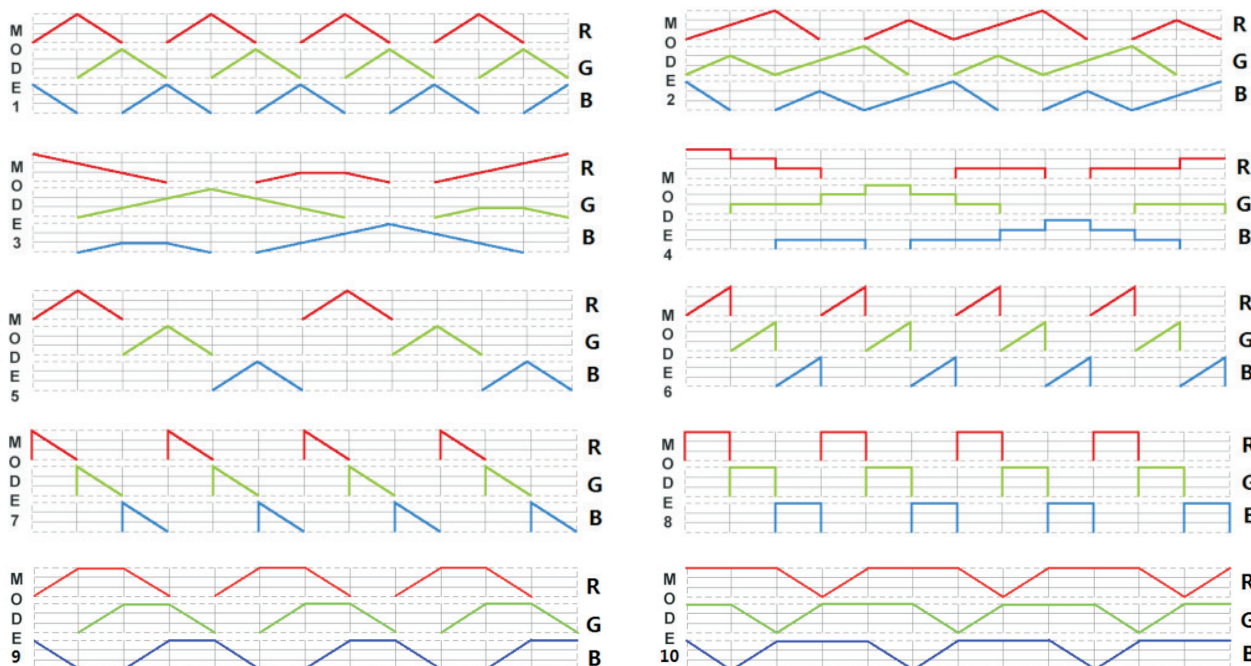
Mode 6: RGB three colors fade-in successively

Mode 7: RGB three colors fade-out successively

Mode 8: RGB three colors jump changing successively

Mode 9: R&B two colors mix fade (R in B out), then G fade-in, then R&B mix fade (R out B in), then G fade-out

Mode 10: B fade-out, then G&B mix fade (G out B in), then R&G mix fade (R out G in), then R fade-in



How to stop running mode of single color LED light caused by RGBW sender interference:

1. When pairing single color LED light to a single color remote, it might be interfered and paired by nearby RGBW senders, which might control the single color light into running mode. The running mode can not be stopped by the paired single color remote or by delete pairing.
2. Then we need this remote, and pair the remote to the receiver via above “**Pair with RF receiver(Method 2)**”, then touch the color wheel to stop the running mode.
3. Then delete pairing and pair the receiver to the single color remote again, it can be controlled by the remote again.