

# FLOOD LIGHT



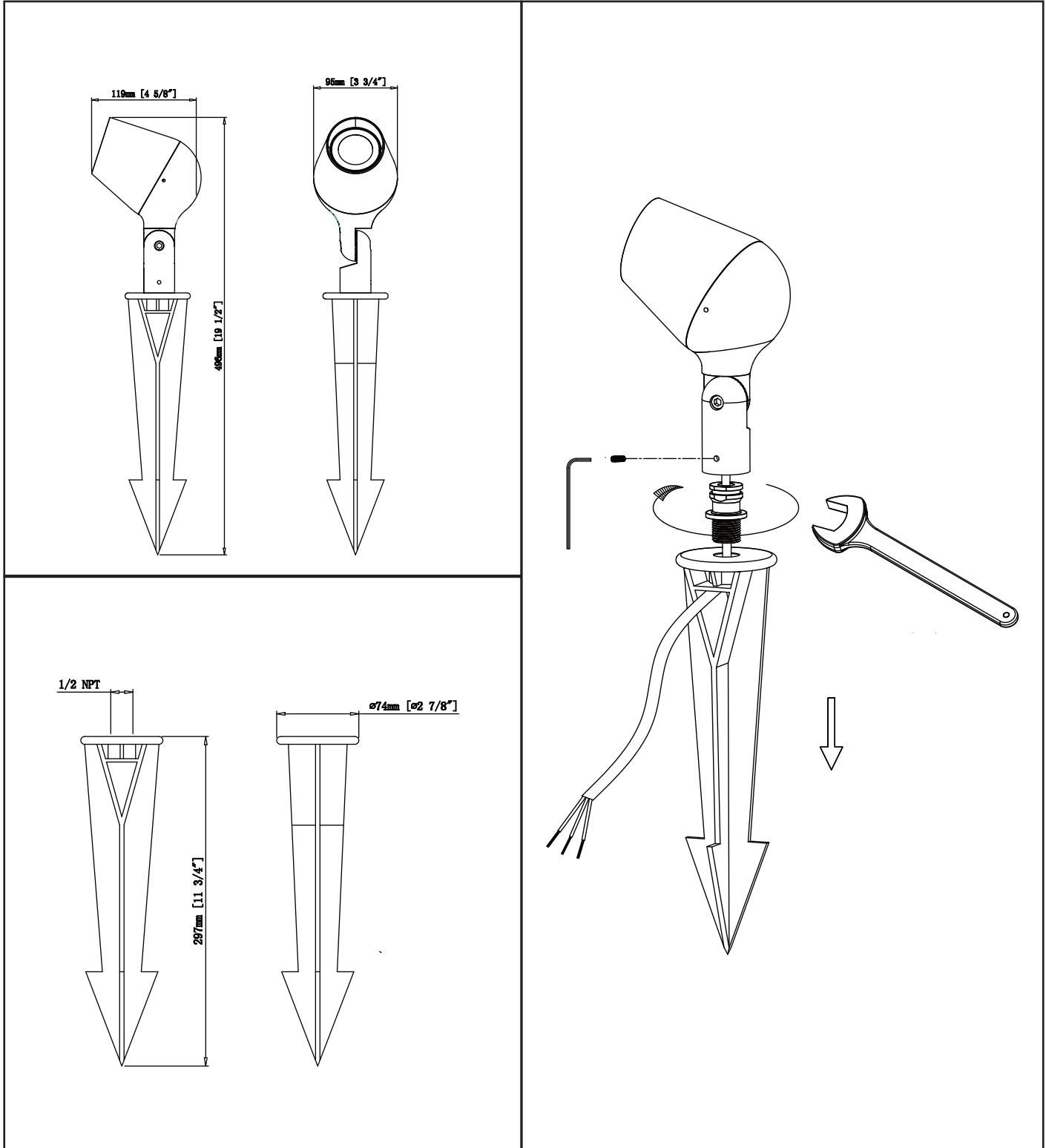
## INSTALLATION INSTRUCTIONS

PART NO.	POWER	IP RATING
LU012FLDS-RU01, LU020FLDS-RU01, LU030FLDS-RU01, LU040FLDS-RU01, LU060FLDS-RU01	12W, 20W, 30W, 40W, 60W	IP66

# GROUND STAKE FLOOD LIGHT INSTALLATION INSTRUCTIONS

# LUMO®

PART NO.	POWER	IP RATING
LU012FLDS-RU01, LU020FLDS-RU01, LU030FLDS-RU01, LU040FLDS-RU01, LU060FLDS-RU01	12W, 20W, 30W, 40W, 60W	IP66

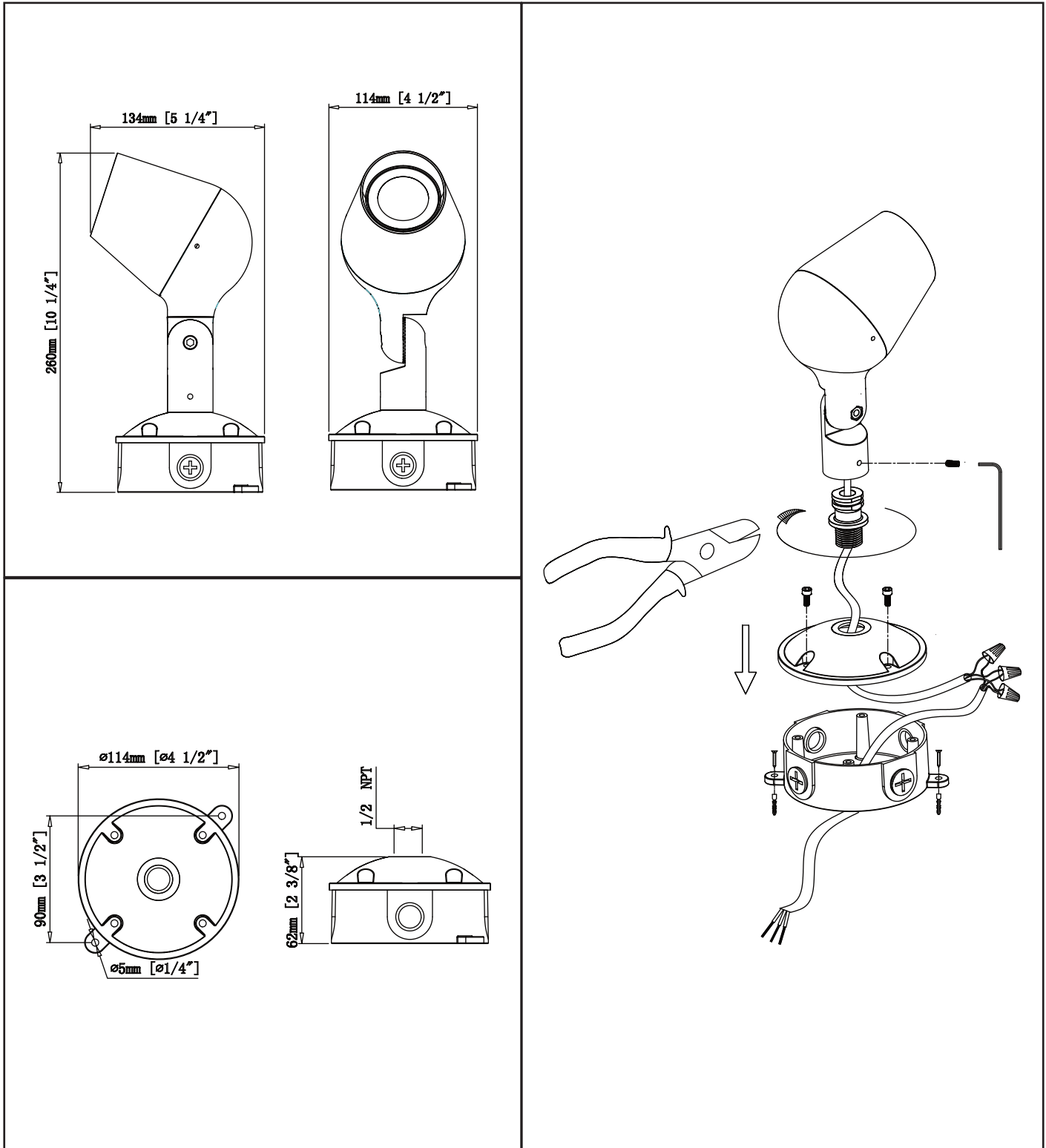


**WARNINGS** All electrical works must be done by a qualified electrician.  
Turn off electrical power to all affected circuits before installation or servicing.  
For any technical support contact LUMO® experts in [info@lumo.ae](mailto:info@lumo.ae)

# MOUNTING KNUCKLE TO J-BOX FLOOD LIGHT INSTALLATION INSTRUCTIONS



PART NO.	POWER	IP RATING
LU012FLDS-RU01, LU020FLDS-RU01, LU030FLDS-RU01, LU040FLDS-RU01, LU060FLDS-RU01	12W, 20W, 30W, 40W, 60W	IP66



## WARNINGS

All electrical works must be done by a qualified electrician.

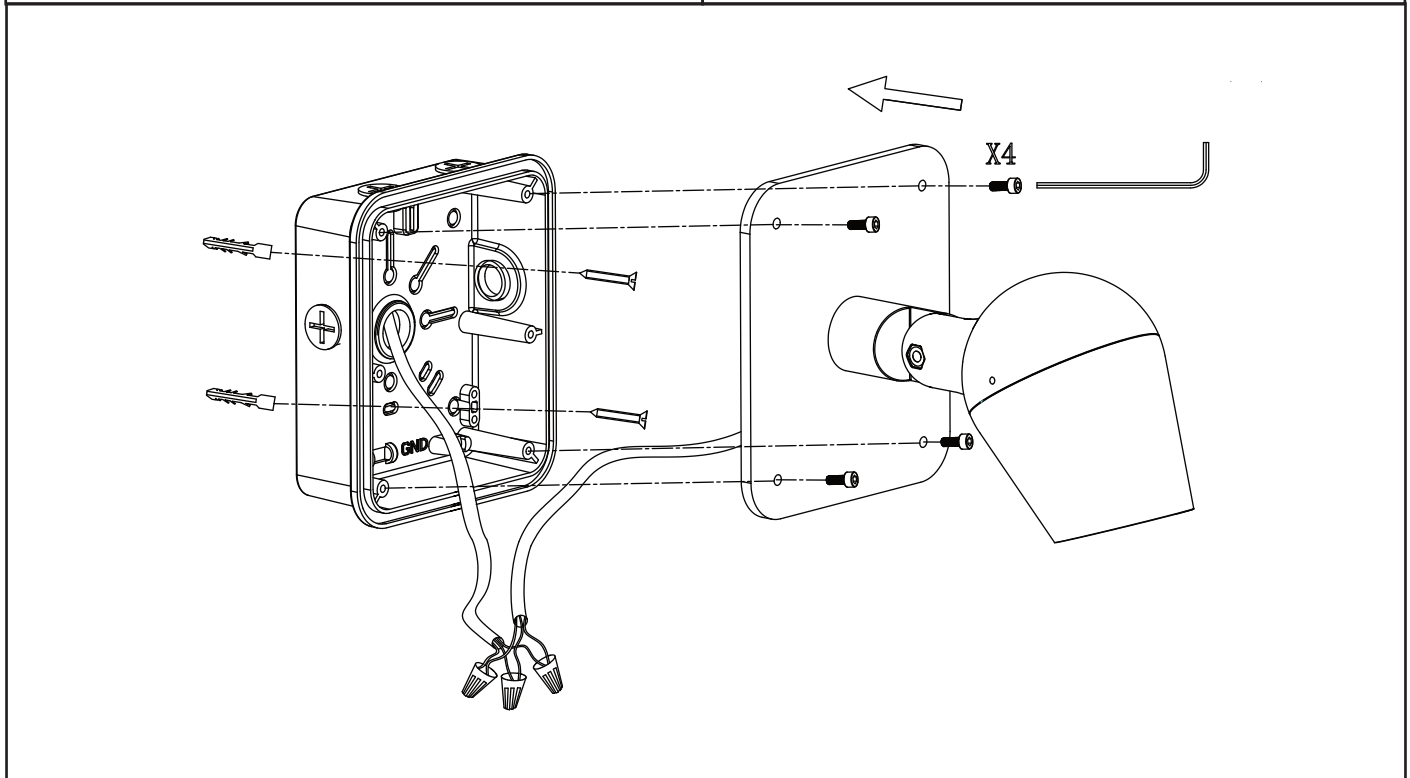
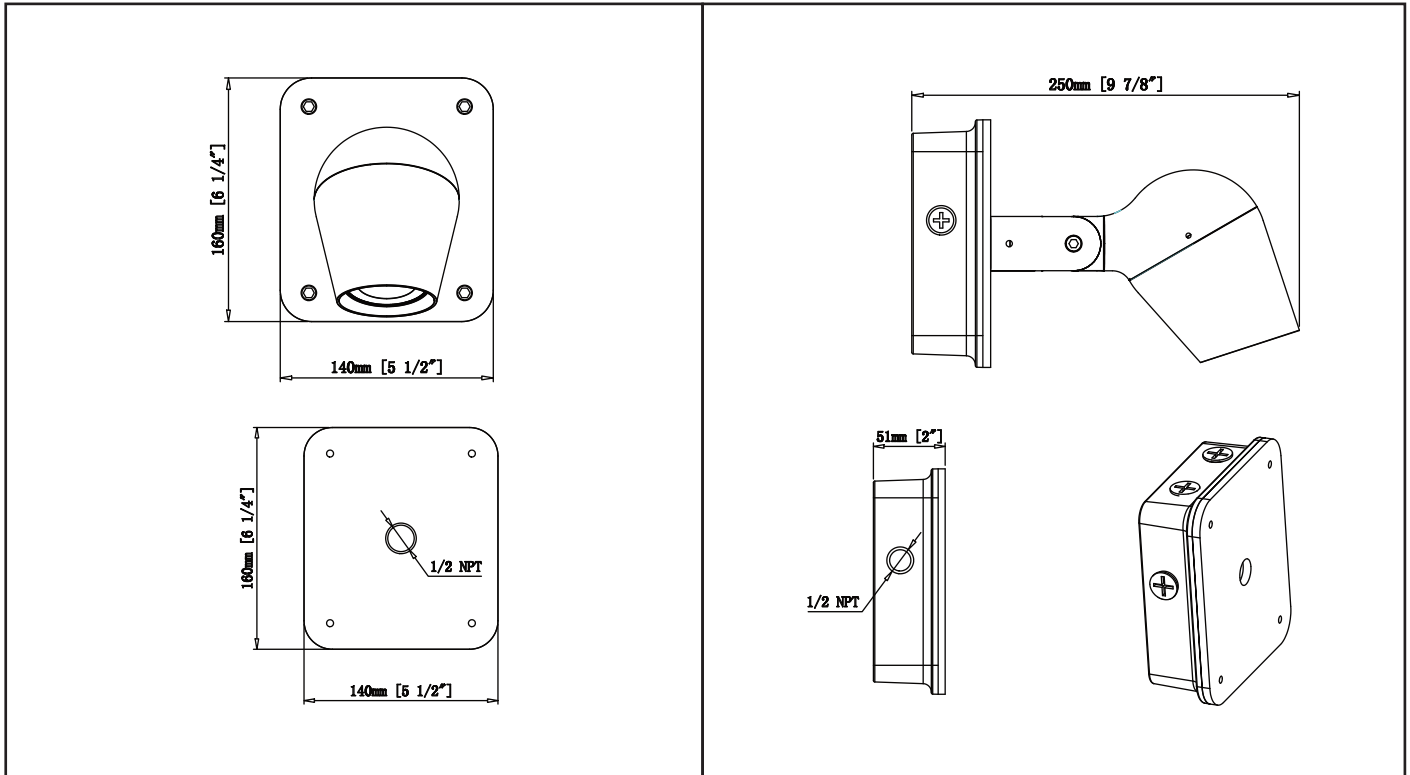
Turn off electrical power to all affected circuits before installation or servicing.

For any technical support contact LUMO® experts in [info@lumo.ae](mailto:info@lumo.ae)

# DIRECT ROUND POLE WALL MOUNT FLOOD LIGHT INSTALLATION INSTRUCTIONS



PART NO.	POWER	IP RATING
LU012FLDS-RU01, LU020FLDS-RU01, LU030FLDS-RU01, LU040FLDS-RU01, LU060FLDS-RU01	12W, 20W, 30W, 40W, 60W	IP66

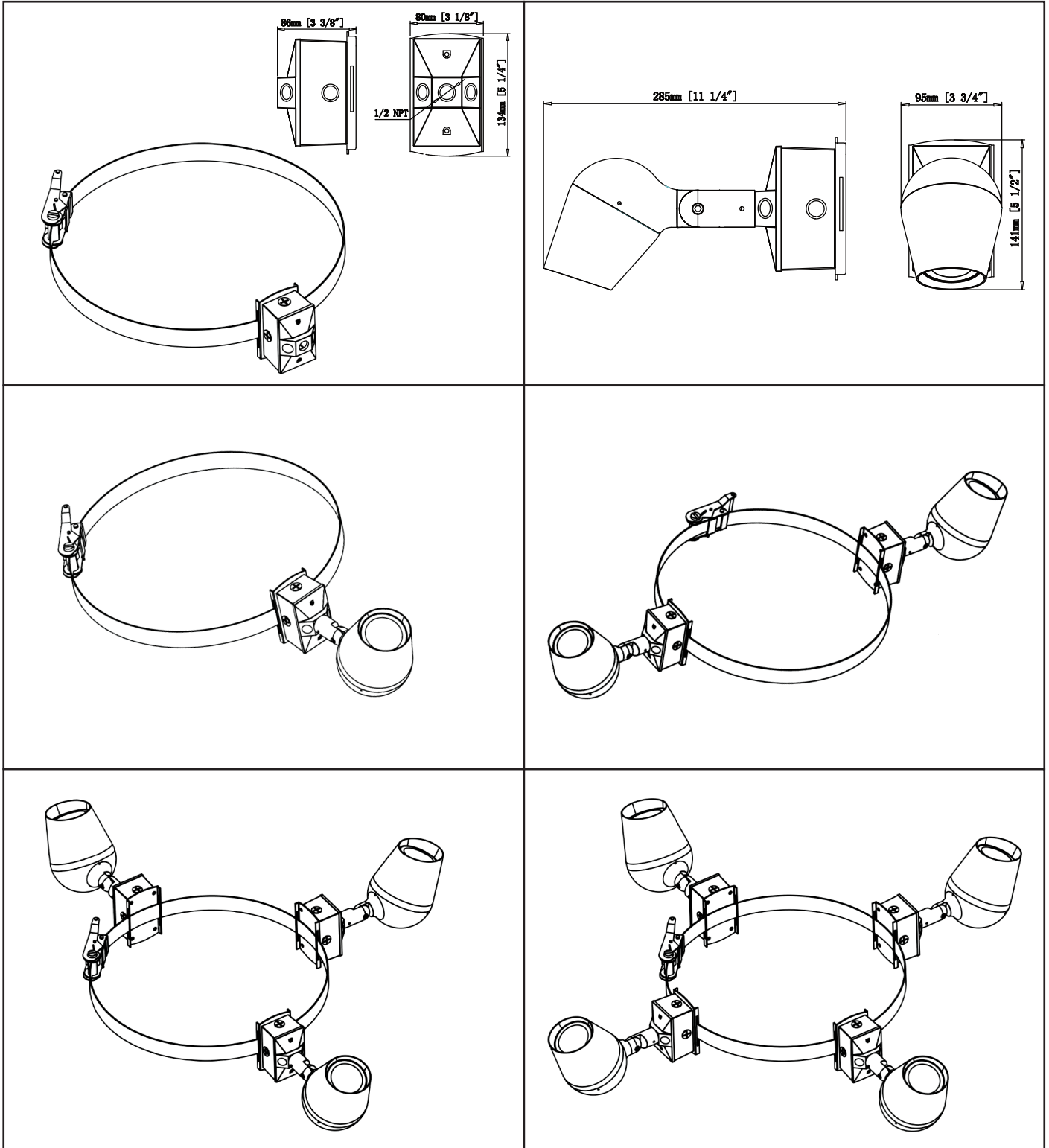


**WARNINGS** All electrical works must be done by a qualified electrician.  
Turn off electrical power to all affected circuits before installation or servicing.  
For any technical support contact LUMO® experts in [info@lumo.ae](mailto:info@lumo.ae)

# TREE MOUNT FLOOD LIGHT INSTALLATION INSTRUCTIONS



PART NO.	POWER	IP RATING
LU012FLDS-RU01, LU020FLDS-RU01, LU030FLDS-RU01, LU040FLDS-RU01, LU060FLDS-RU01	12W, 20W, 30W, 40W, 60W	IP66

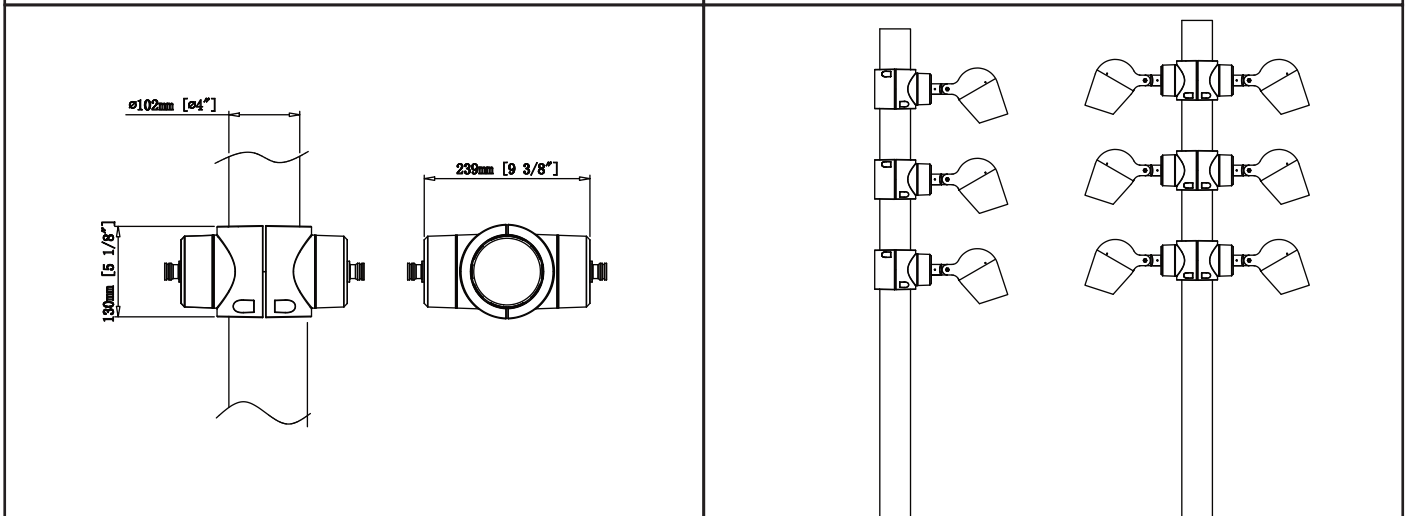
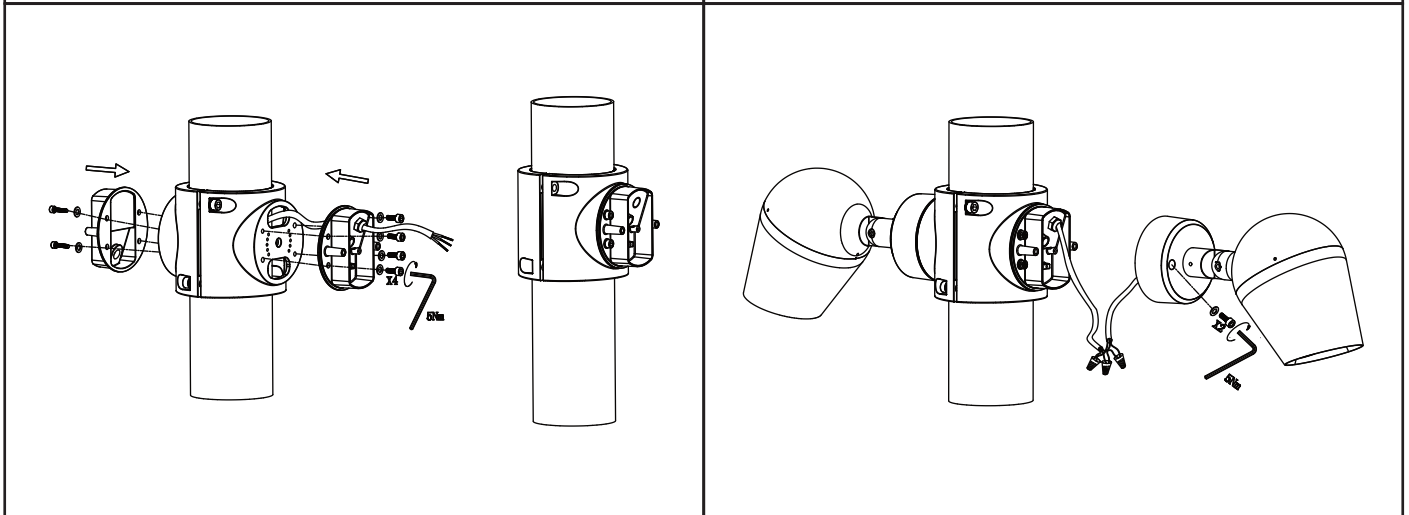
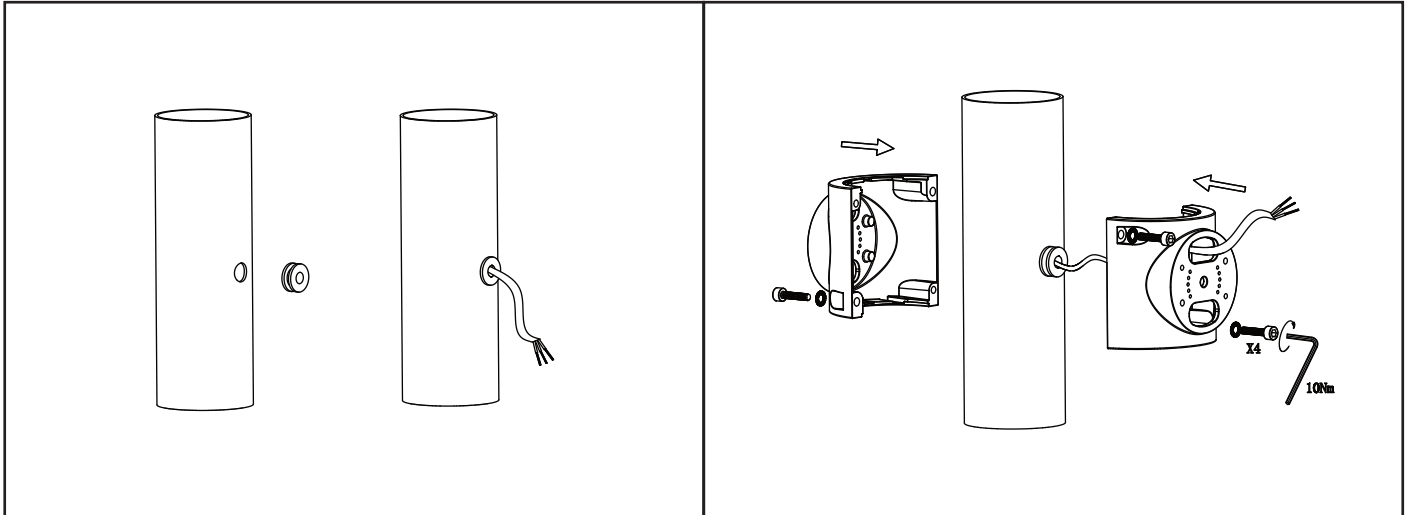


**WARNINGS** All electrical works must be done by a qualified electrician.  
Turn off electrical power to all affected circuits before installation or servicing.  
For any technical support contact LUMO® experts in [info@lumo.ae](mailto:info@lumo.ae)

# POLE INSTALLATION FLOOD LIGHT INSTALLATION INSTRUCTIONS



PART NO.	POWER	IP RATING
LU012FLDS-RU01, LU020FLDS-RU01, LU030FLDS-RU01, LU040FLDS-RU01, LU060FLDS-RU01	12W, 20W, 30W, 40W, 60W	IP66

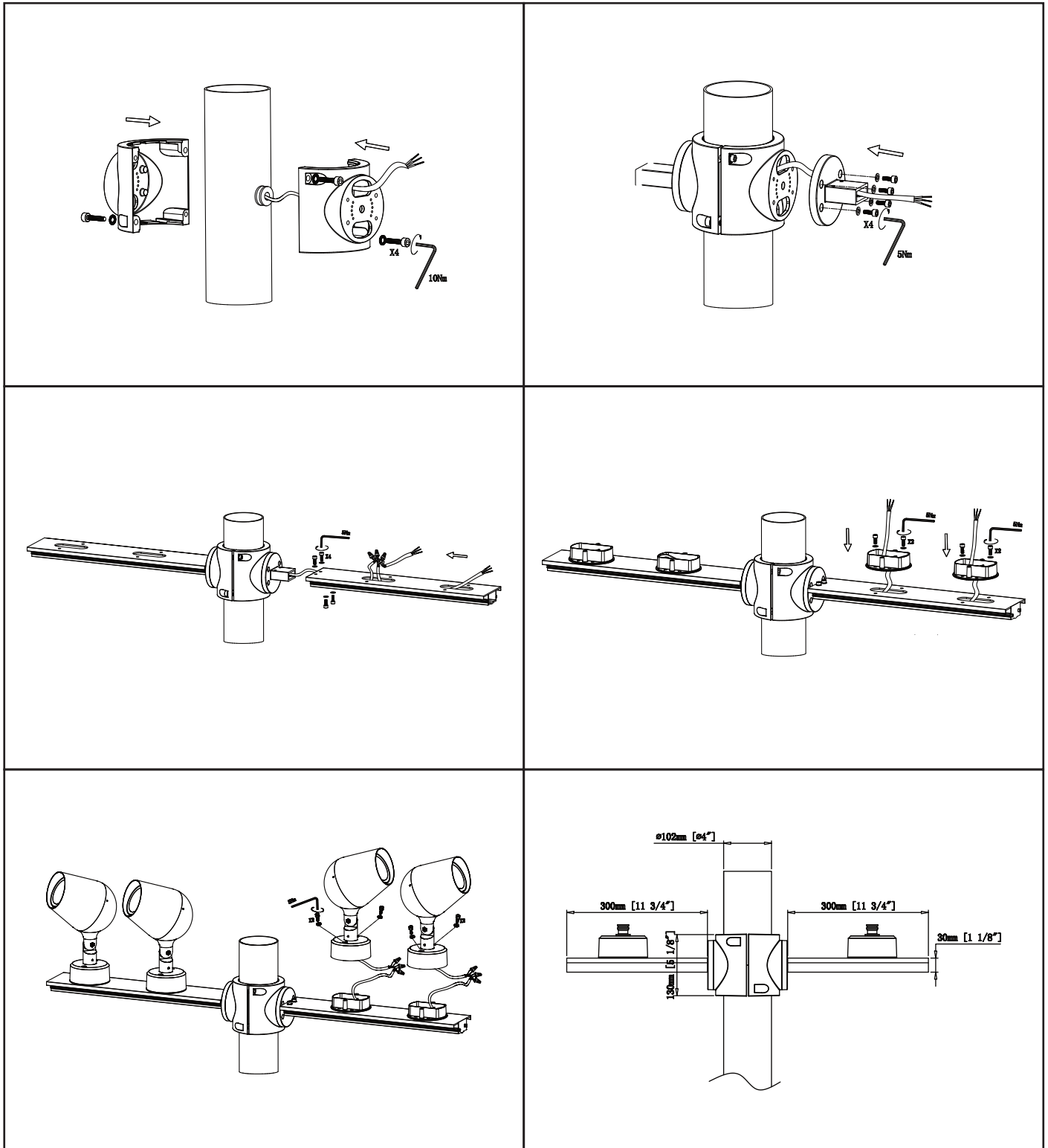


**WARNINGS** All electrical works must be done by a qualified electrician.  
Turn off electrical power to all affected circuits before installation or servicing.  
For any technical support contact LUMO® experts in [info@lumo.ae](mailto:info@lumo.ae)

# POLE / MAST CLUSTER COLUMN FLOOD LIGHT INSTALLATION INSTRUCTIONS



PART NO.	POWER	IP RATING
LU012FLDS-RU01, LU020FLDS-RU01, LU030FLDS-RU01, LU040FLDS-RU01, LU060FLDS-RU01	12W, 20W, 30W, 40W, 60W	IP66

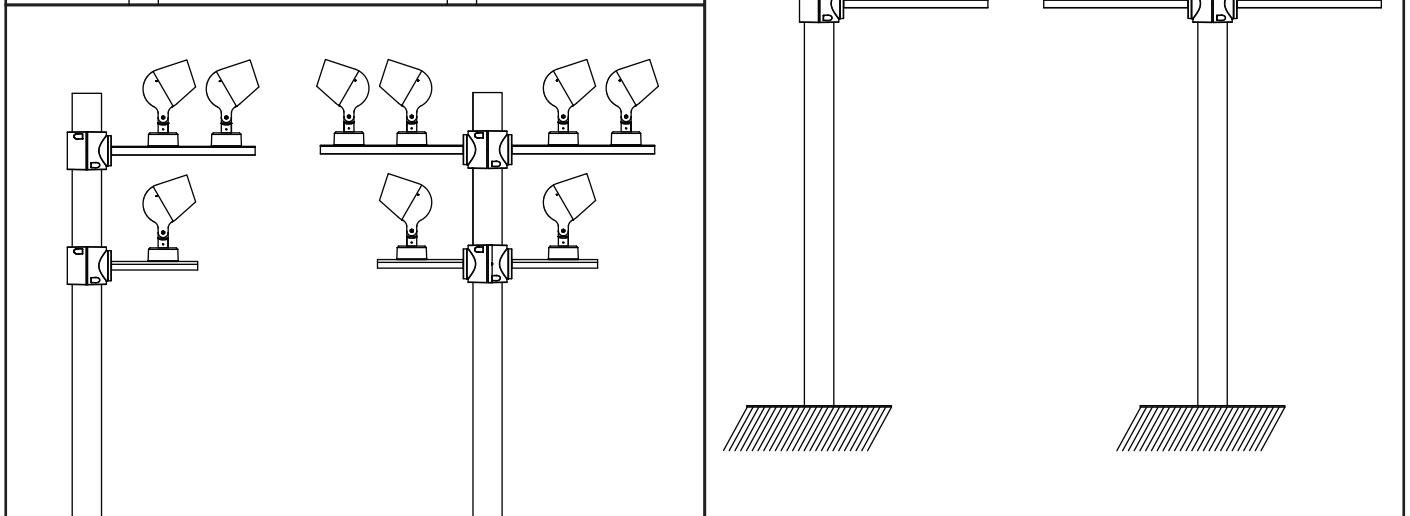
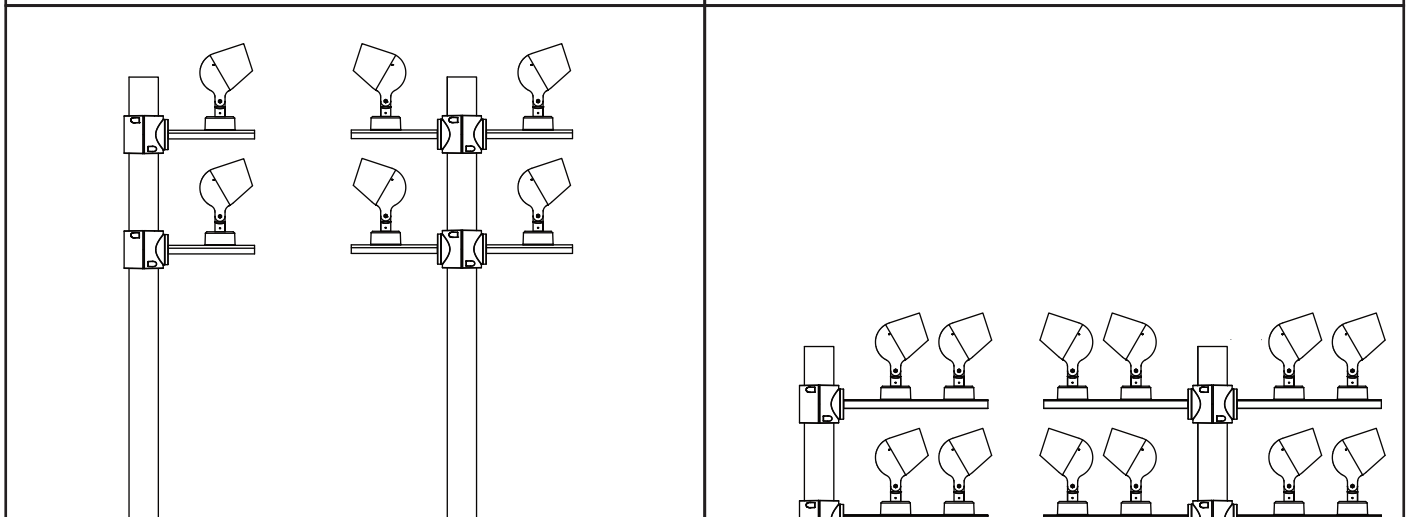
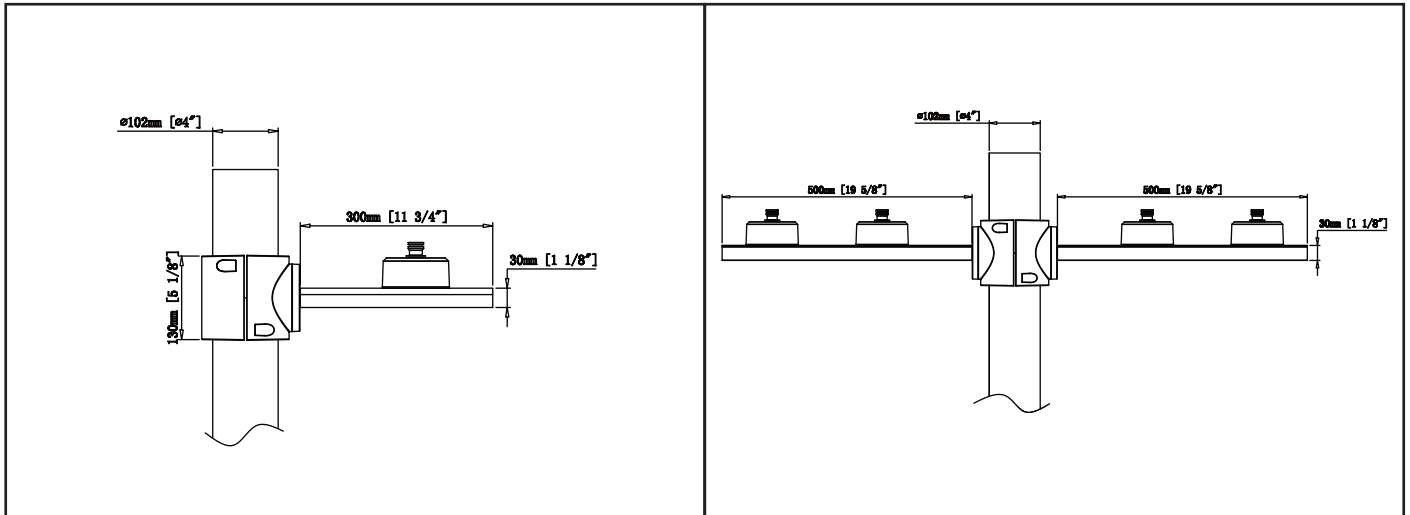


**WARNINGS** All electrical works must be done by a qualified electrician.  
 Turn off electrical power to all affected circuits before installation or servicing.  
 For any technical support contact LUMO® experts in [info@lumo.ae](mailto:info@lumo.ae)

# POLE / MAST CLUSTER COLUMN FLOOD LIGHT INSTALLATION INSTRUCTIONS



PART NO.	POWER	IP RATING
LU012FLDS-RU01, LU020FLDS-RU01, LU030FLDS-RU01, LU040FLDS-RU01, LU060FLDS-RU01	12W, 20W, 30W, 40W, 60W	IP66



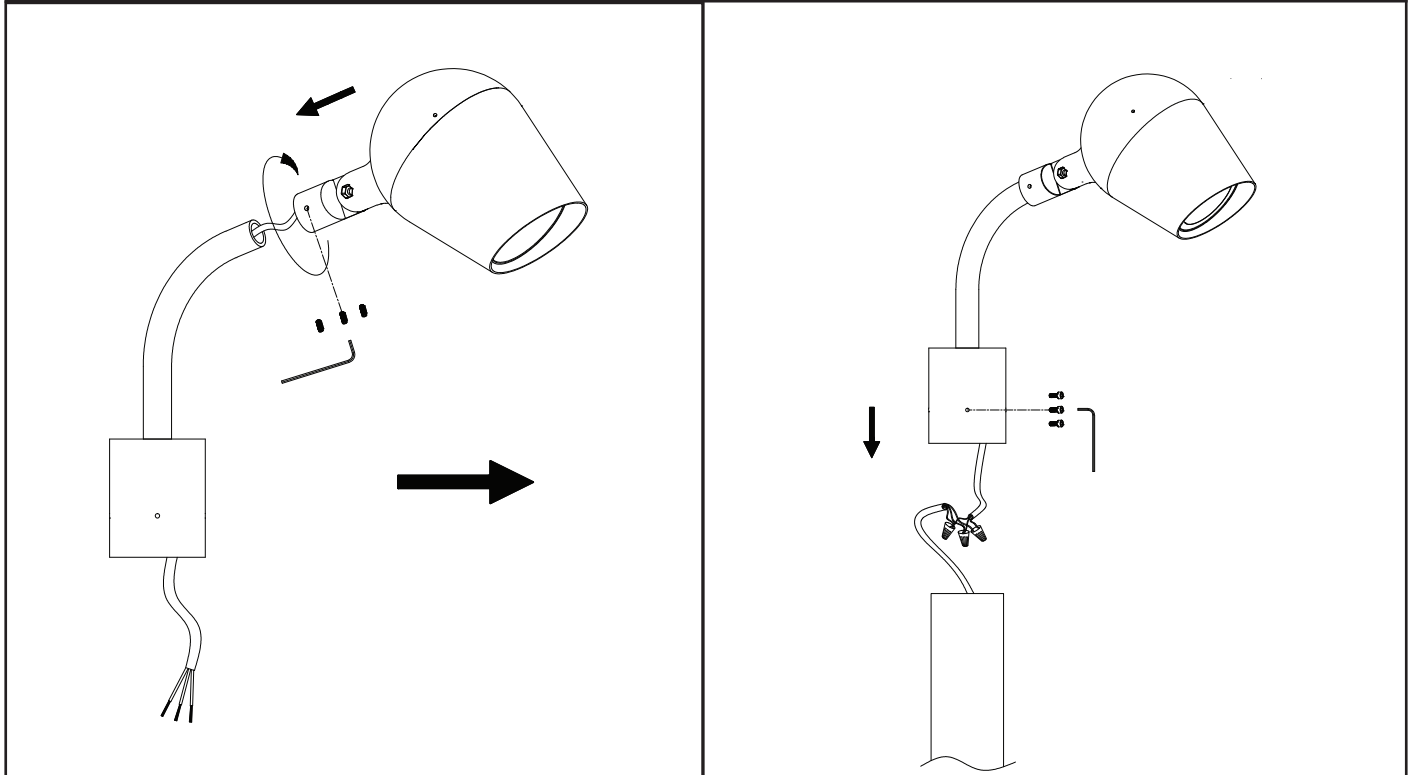
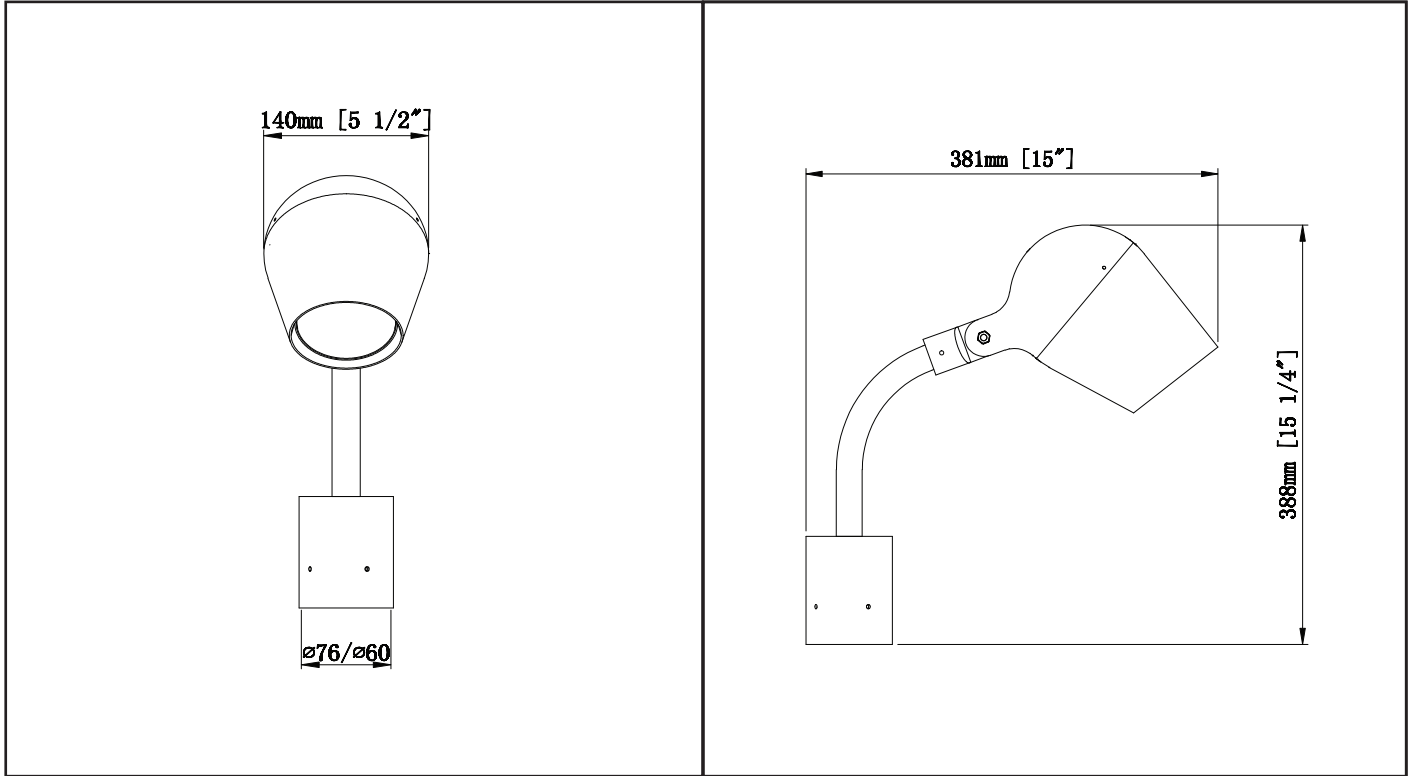
**WARNINGS** All electrical works must be done by a qualified electrician.  
Turn off electrical power to all affected circuits before installation or servicing.  
For any technical support contact LUMO® experts in [info@lumo.ae](mailto:info@lumo.ae)



# POLE MOUNT SINGLE ARM FLOOD LIGHT INSTALLATION INSTRUCTIONS



PART NO.	POWER	IP RATING
LU012FLDS-RU01, LU020FLDS-RU01, LU030FLDS-RU01, LU040FLDS-RU01, LU060FLDS-RU01	12W, 20W, 30W, 40W, 60W	IP66

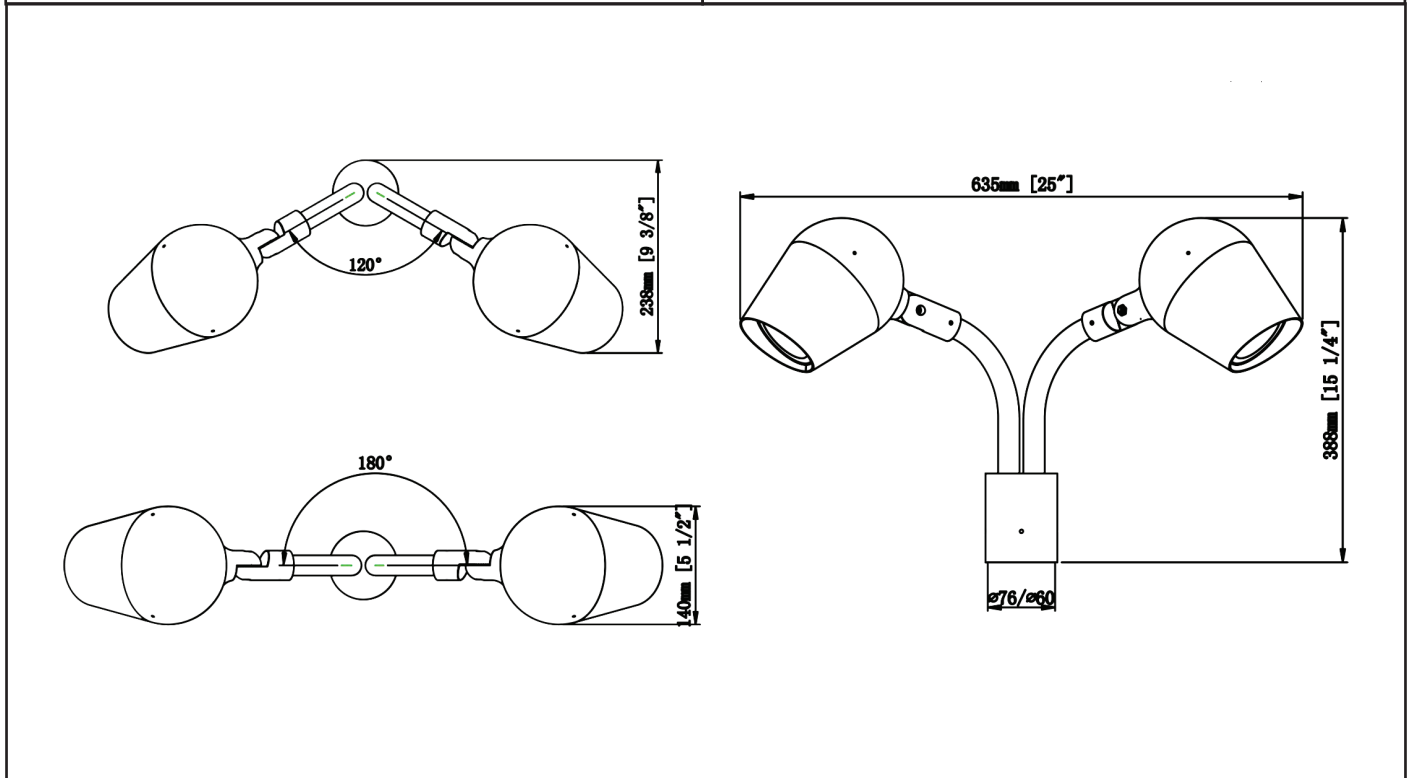
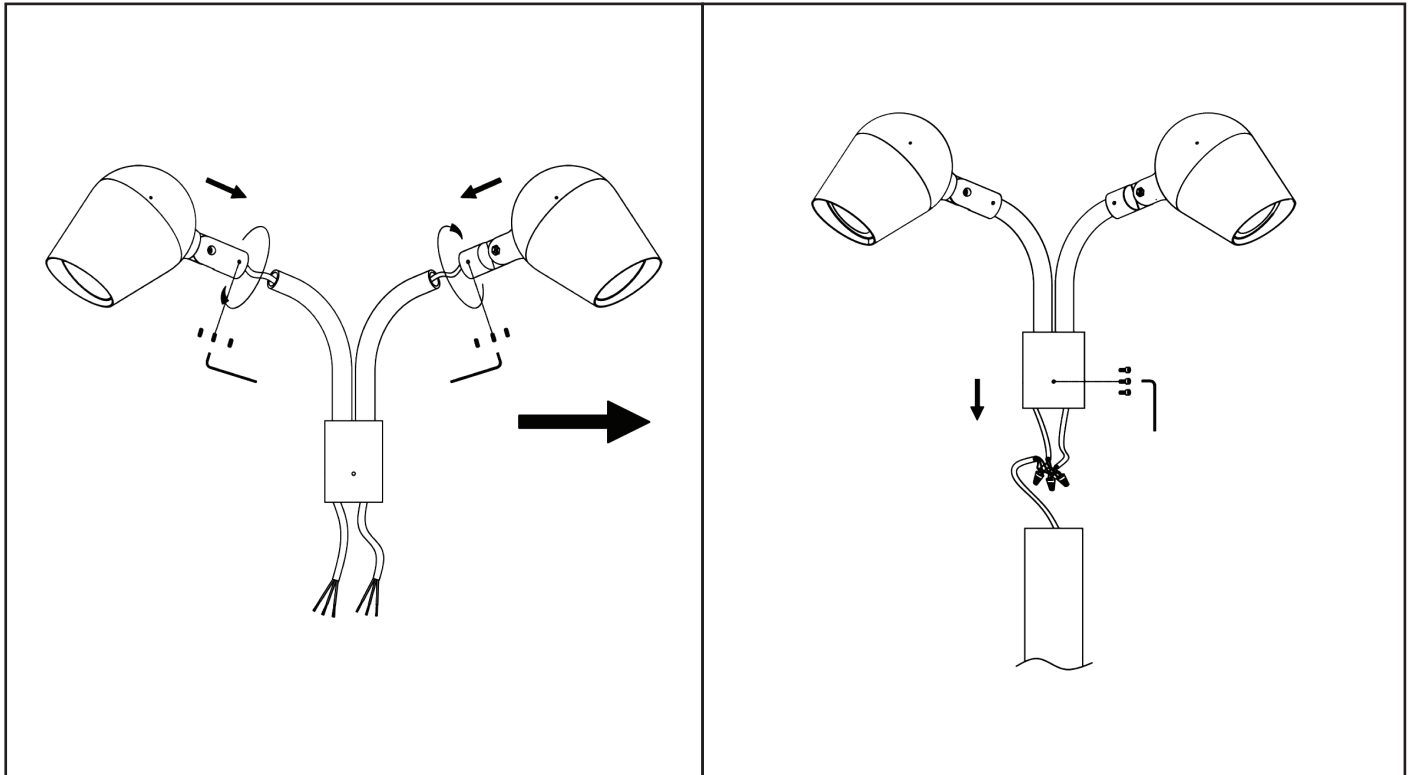


**WARNINGS** All electrical works must be done by a qualified electrician.  
Turn off electrical power to all affected circuits before installation or servicing.  
For any technical support contact LUMO® experts in [info@lumo.ae](mailto:info@lumo.ae)

# POLE MOUNT DOUBLE ARM FLOOD LIGHT INSTALLATION INSTRUCTIONS

**LUMO**<sup>®</sup>

PART NO.	POWER	IP RATING
LU012FLDS-RU01, LU020FLDS-RU01, LU030FLDS-RU01, LU040FLDS-RU01, LU060FLDS-RU01	12W, 20W, 30W, 40W, 60W	IP66

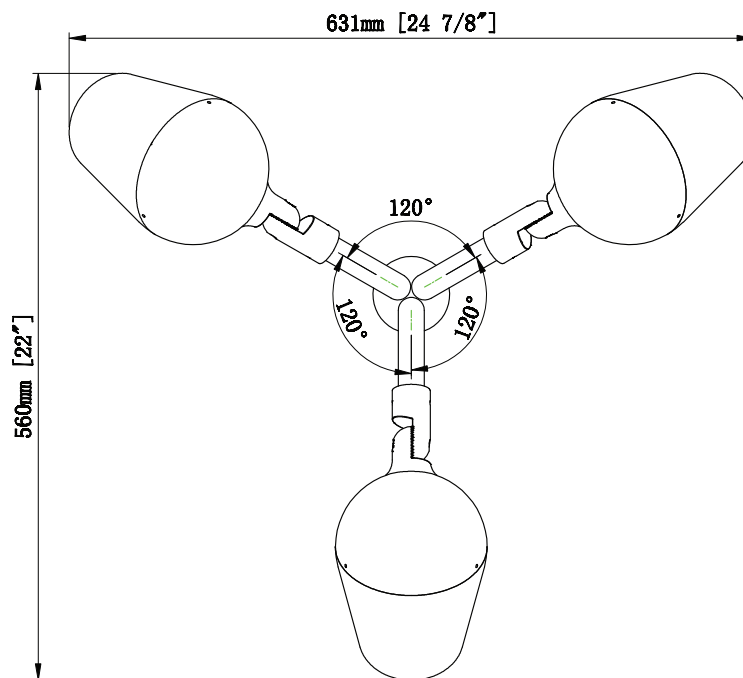
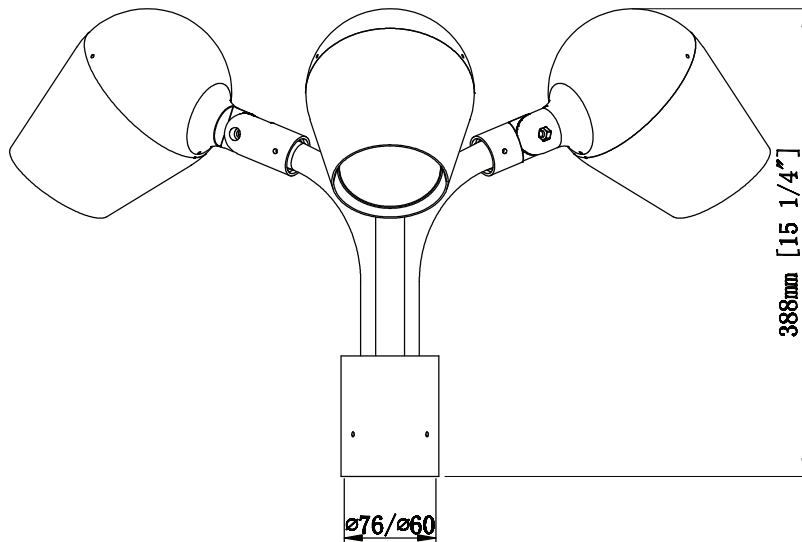


**WARNINGS** All electrical works must be done by a qualified electrician.  
Turn off electrical power to all affected circuits before installation or servicing.  
For any technical support contact LUMO<sup>®</sup> experts in [info@lumo.ae](mailto:info@lumo.ae)

# POLE MOUNT THREE ARM FLOOD LIGHT INSTALLATION INSTRUCTIONS



PART NO.	POWER	IP RATING
LU012FLDS-RU01, LU020FLDS-RU01, LU030FLDS-RU01, LU040FLDS-RU01, LU060FLDS-RU01	12W, 20W, 30W, 40W, 60W	IP66



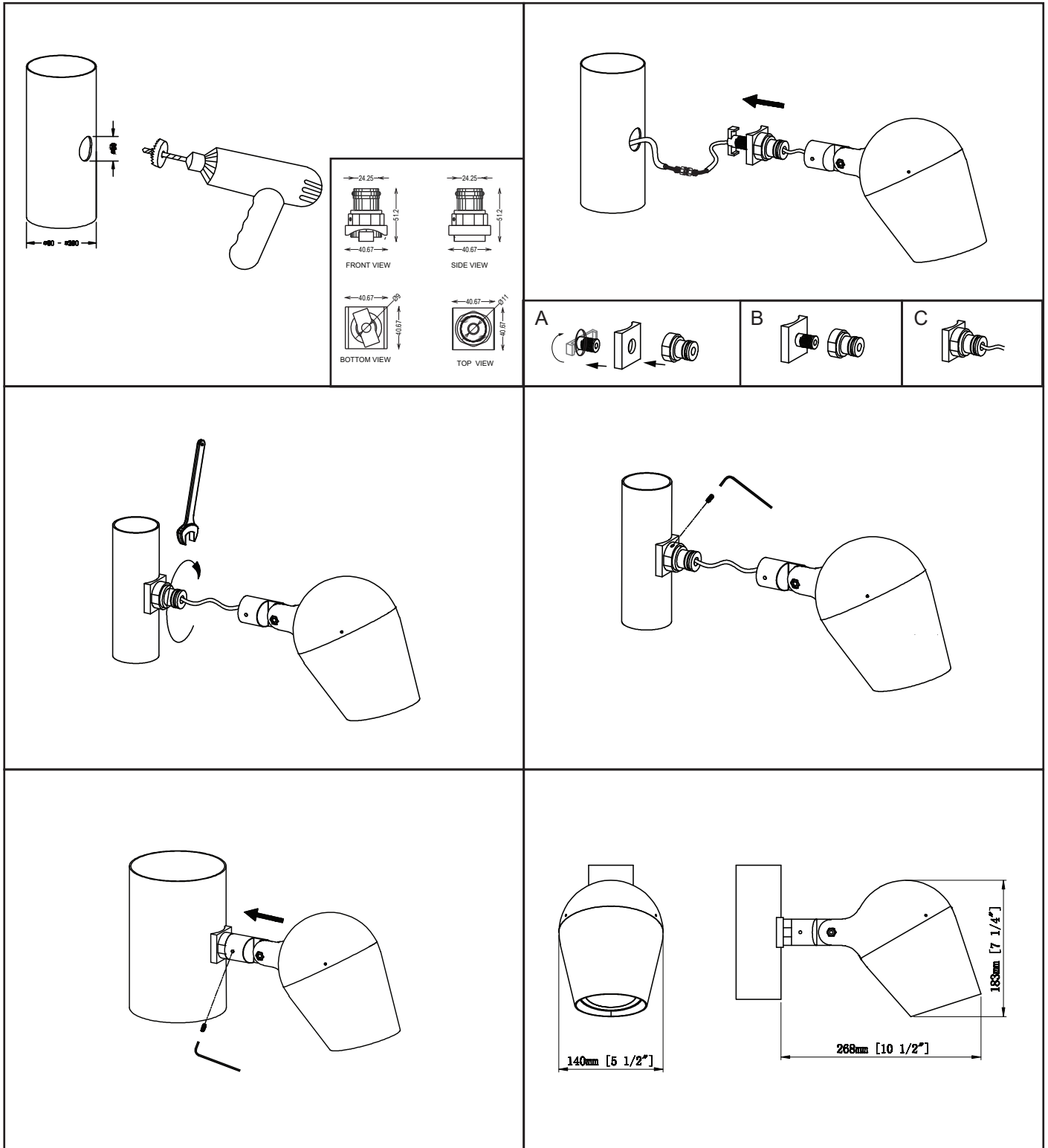
**WARNINGS** All electrical works must be done by a qualified electrician.  
Turn off electrical power to all affected circuits before installation or servicing.  
For any technical support contact LUMO® experts in [info@lumo.ae](mailto:info@lumo.ae)

# POLE COUPLER FLOOD LIGHT- Option-1

## INSTALLATION INSTRUCTIONS



PART NO.	POWER	IP RATING
LU012FLDS-RU01, LU020FLDS-RU01, LU030FLDS-RU01, LU040FLDS-RU01, LU060FLDS-RU01	12W, 20W, 30W, 40W, 60W	IP66



**WARNINGS** All electrical works must be done by a qualified electrician.  
 Turn off electrical power to all affected circuits before installation or servicing.  
 For any technical support contact LUMO® experts in [info@lumo.ae](mailto:info@lumo.ae)

# POLE COUPLER FLOOD LIGHT- Option-2

## INSTALLATION INSTRUCTIONS



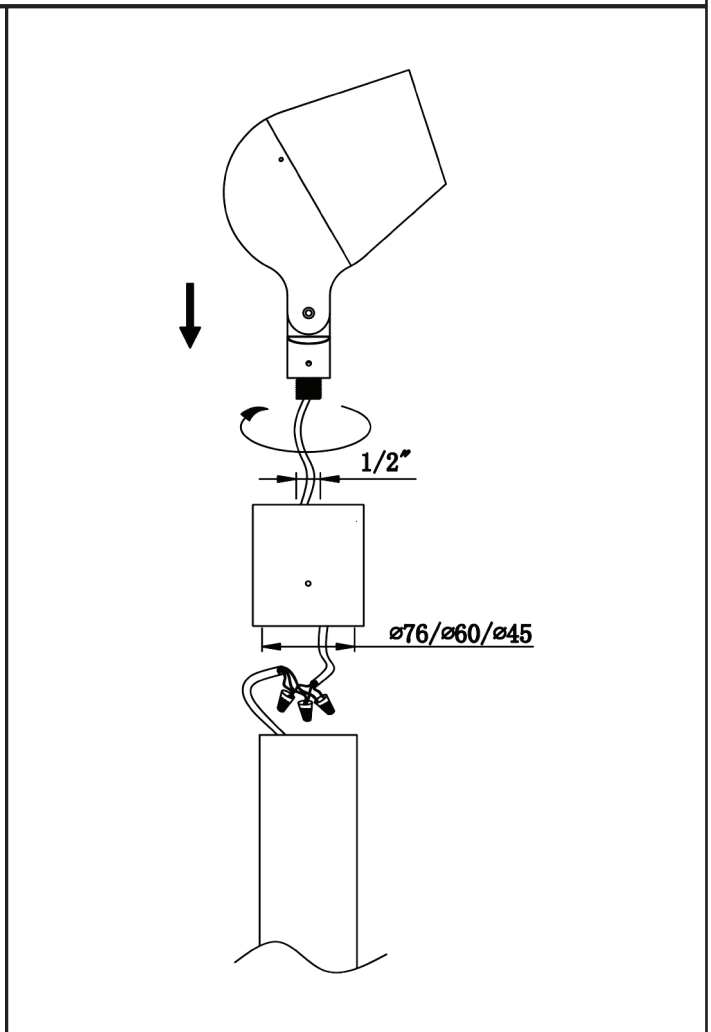
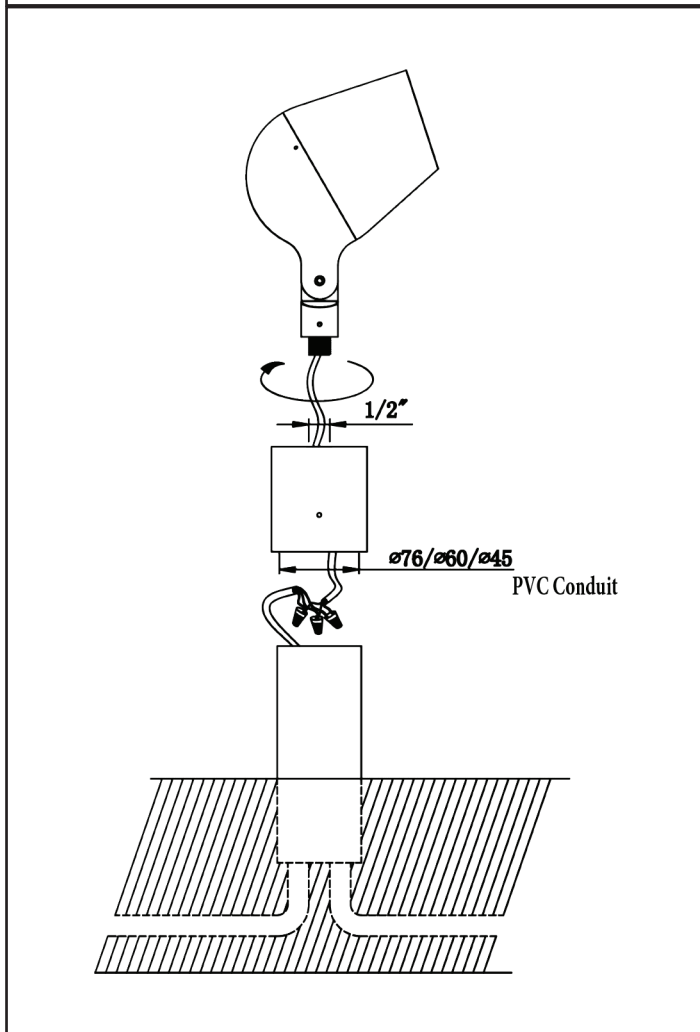
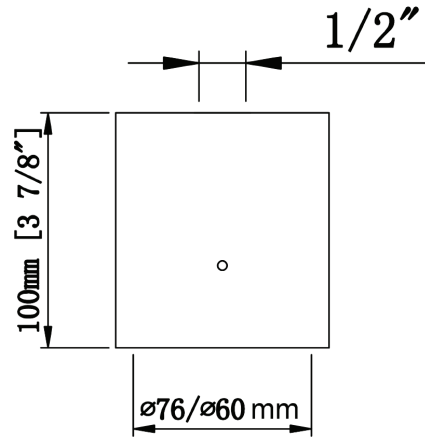
PART NO.	POWER	IP RATING
LU012FLDS-RU01, LU020FLDS-RU01, LU030FLDS-RU01, LU040FLDS-RU01, LU060FLDS-RU01	12W, 20W, 30W, 40W, 60W	IP66


**WARNINGS** All electrical works must be done by a qualified electrician.  
 Turn off electrical power to all affected circuits before installation or servicing.  
 For any technical support contact LUMO® experts in [info@lumo.ae](mailto:info@lumo.ae)

# POLAR CAP FLOOD LIGHT INSTALLATION INSTRUCTIONS



PART NO.	POWER	IP RATING
LU012FLDS-RU01, LU020FLDS-RU01, LU030FLDS-RU01, LU040FLDS-RU01, LU060FLDS-RU01	12W, 20W, 30W, 40W, 60W	IP66

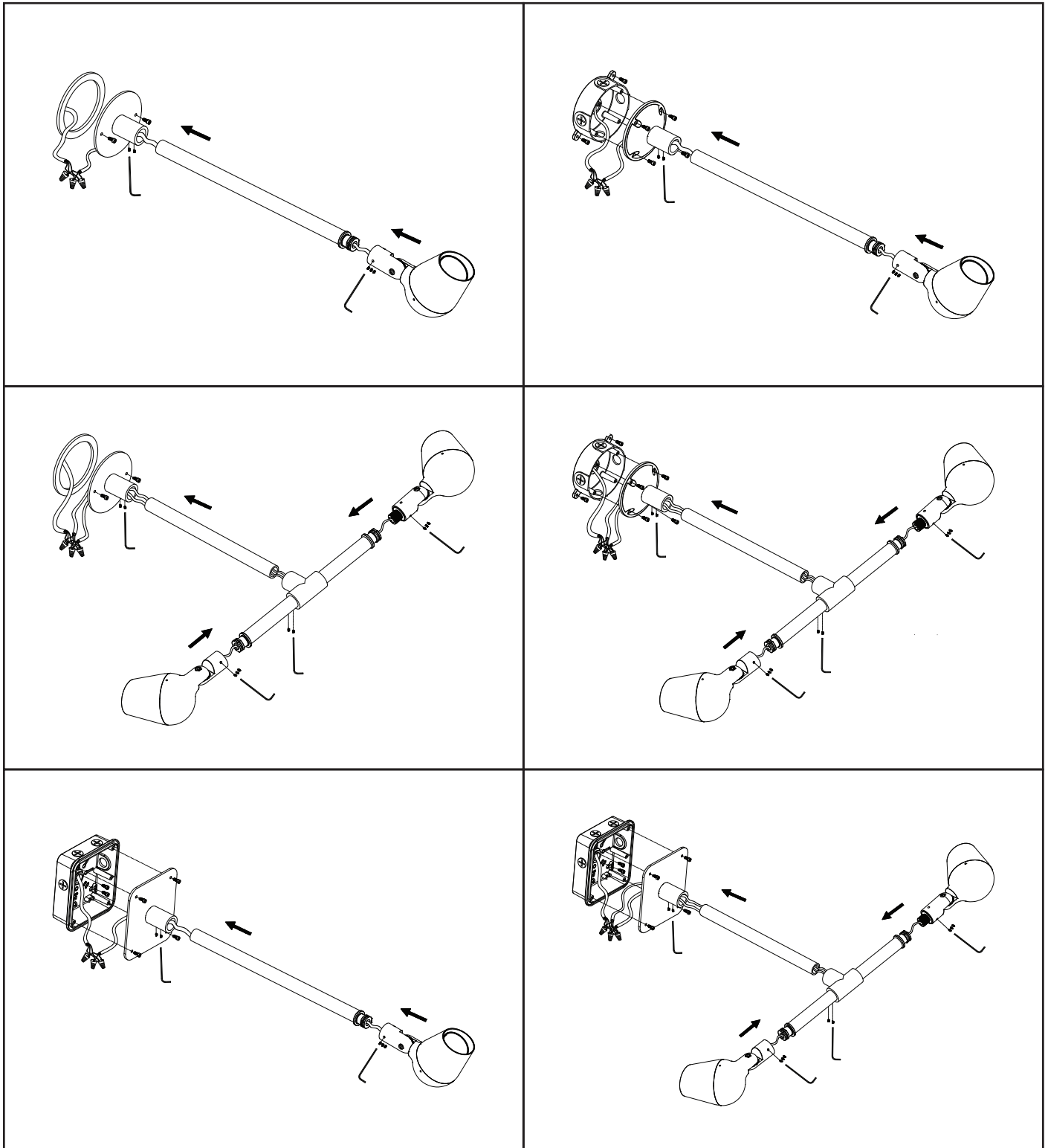


**WARNINGS** All electrical works must be done by a qualified electrician.  
Turn off electrical power to all affected circuits before installation or servicing.  
For any technical support contact LUMO® experts in [info@lumo.ae](mailto:info@lumo.ae)

# IDENTIFICATION FLOOD LIGHT INSTALLATION INSTRUCTIONS



PART NO.	POWER	IP RATING
LU012FLDS-RU01, LU020FLDS-RU01, LU030FLDS-RU01, LU040FLDS-RU01, LU060FLDS-RU01	12W, 20W, 30W, 40W, 60W	IP66



**WARNINGS** All electrical works must be done by a qualified electrician.  
Turn off electrical power to all affected circuits before installation or servicing.  
For any technical support contact LUMO® experts in [info@lumo.ae](mailto:info@lumo.ae)