

OUTDOOR ADJUSTABLE LED FLOOD LIGHT



Description

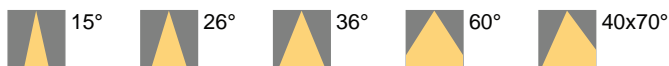
Compact architectural and stylish outdoor innovative projector for variety of floodlighting applications, ideal for accent lighting, available in different sizes/ wattage options, with high power LED, high-pressure die-casting aluminium body, stainless steel screws, high strength 6mm toughened glass, extremely narrow to wide beam options, rotationally symmetric light distribution, integrated power supply with dimmable options.

Correlated Color Temperature (CCT)



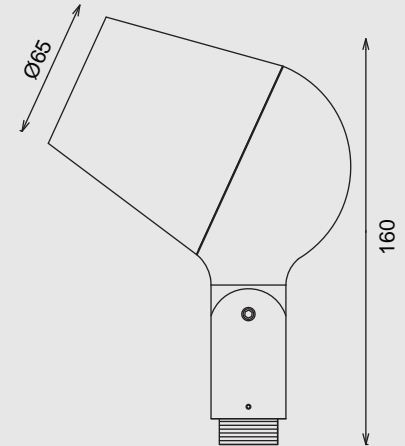
*Other Color Temperatures can be customised as per order.

Beam Angle



* Other Beam angles can be customised as per order.

Color Finish



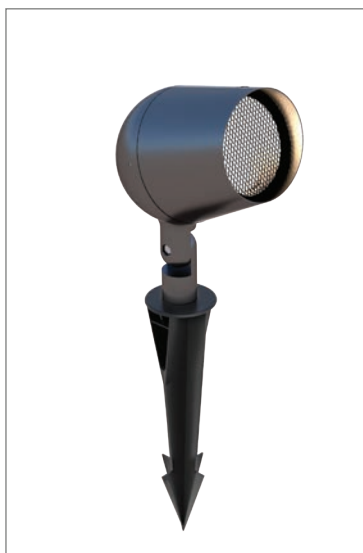
Electrical Features

Wattage	20W
Light Source	Cree LED
Output Lumen	2000lm
Input Voltage	220V AC, 50/60Hz
LED Life Span	50,000Hrs

Mechanical Features

Installation	Surface Mounted
Body Material	Die-cast Aluminum
Bracket Material	Die-cast Aluminum
Diffuser	Clear Tempered glass
Ingress Protection	IP66
Dimension	As per drawing

Installation Method



Accessories

<p>HONEY-COMB LOUVER</p> <p>LU017SP-AC01 Sold Separately</p>	<p>JUNCTION BOX / SURFACE MOUNT</p> <p>LUACCJNB-AL01 Sold Separately</p>	<p>SURFACE BASE MOUNT</p> <p>LUACCBSM-AL01 Sold Separately</p>	<p>POLYESTER STRIP</p> <p>LUACCSTR-PL01 Sold Separately</p>	<p>TREE/ POLE MOUNT</p> <p>LUACCTPM-AL01 Sold Separately</p>	<p>WALL MOUNT</p> <p>LUACCWLM-AL01 Sold Separately</p>
<p>MINI POLE MOUNTING BRACKET</p> <p>LUACCPBK-AL01 Sold Separately</p>	<p>POLE MOUNT</p> <p>LUACCPLM-AL02 Sold Separately</p>	<p>POLE MOUNT</p> <p>LUACCPLM-AL01 Sold Separately</p>	<p>POLE MOUNT</p> <p>LUACCPSM-AL01 Sold Separately</p>	<p>POLE MOUNT ARM</p> <p>LUACCAPM-AL01 Sold Separately</p>	<p>CABLE CONNECTOR</p> <p>LUACCFDPL-AL01 Sold Separately</p>
				<p>PVC STAKE</p> <p>LUXXPACC-BLI05 Sold Separately</p>	<p>CABLE CONNECTOR</p> <p>LUCC68WWI09-2W3P Sold Separately</p>

Application



Project Name: Czech Republic at Expo2020, Dubai, UAE.