

OUTDOOR LED FLOOD LIGHT



Description

Compact architectural and stylish outdoor innovative projector for variety of floodlighting applications, ideal for accent lighting, available in different sizes/ wattage options, with high power LED, high-pressure die-casting aluminium body, stainless steel screws, high strength 6mm toughened glass, extremely narrow to wide beam options, rotationally symmetric light distribution, integrated power supply with dimmable options.

Correlated Color Temperature (CCT)



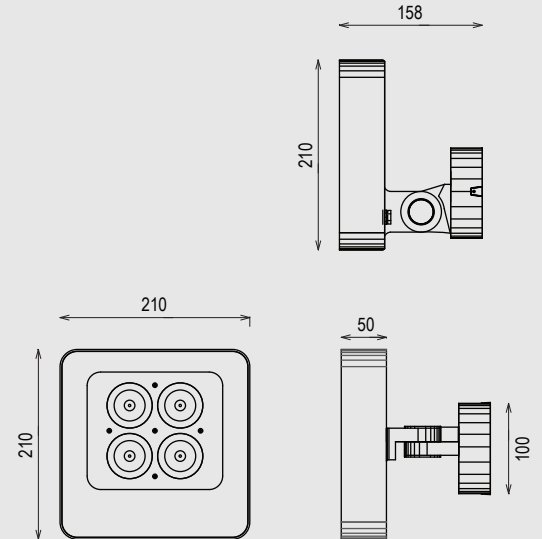
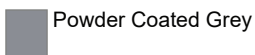
*Other Color Temperature can be made as per order.

Beam Angle



*Other Beam angle can be made as per order.

Color Finish



Electrical Features

Wattage	4x9W (36W)
Light Source	Cree LED
Output Lumen	3255-3350lm
Input Voltage	220-240V AC, 50/60Hz
LED Life Span	50,000Hrs

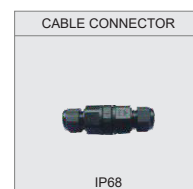
Mechanical Features

Installation	Surface Mounted
Body Material	Aluminum
Bracket Material	Aluminum
Diffuser	Clear Tempered glass
Ingress Protection	IP66
Dimension	As per drawing

Product Image



Accessories



Application

