

## OUTDOOR LED FLOOD LIGHT



### Description

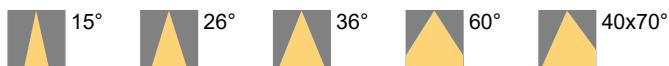
Compact architectural and stylish outdoor innovative projector for variety of floodlighting applications, ideal for accent lighting, available in different sizes/ wattage options, with high power LED, high-pressure die-casting aluminium body, stainless steel screws, high strength 6mm toughened glass, extremely narrow to wide beam options, rotationally symmetric light distribution, integrated power supply with dimmable options.

### Correlated Color Temperature (CCT)



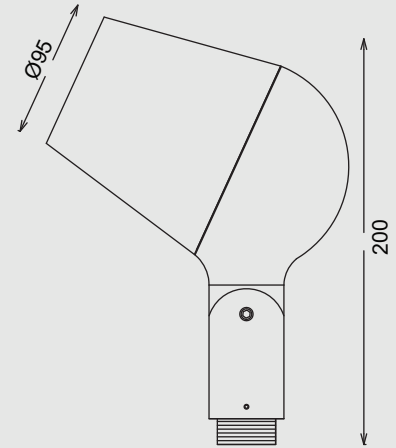
\*Other Color Temperatures can be customised as per order.

### Beam Angle



\* Other Beam angles can be customised as per order.

### Color Finish



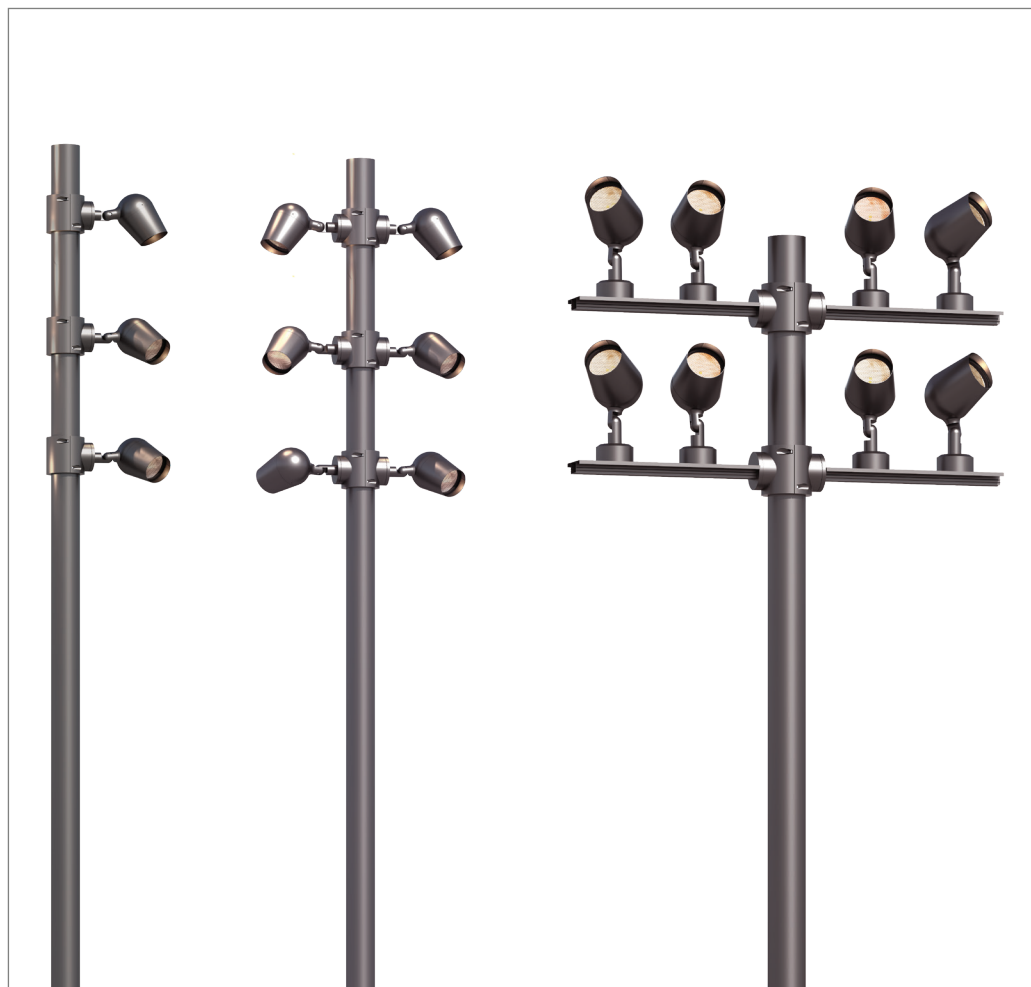
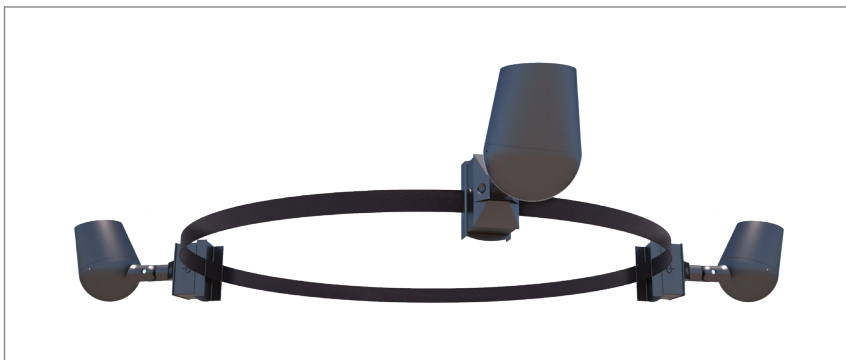
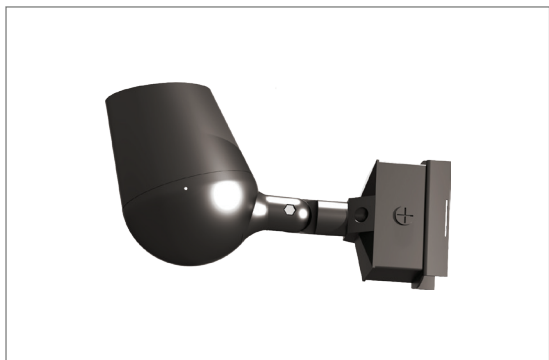
### Electrical Features

<b>Wattage</b>	40W
<b>Light Source</b>	Cree LED
<b>Output Lumen</b>	3600lm
<b>Input Voltage</b>	220V AC, 50/60Hz
<b>LED Life Span</b>	50,000Hrs

### Mechanical Features

<b>Installation</b>	Surface Mounted
<b>Body Material</b>	Die-cast Aluminum
<b>Bracket Material</b>	Die-cast Aluminum
<b>Diffuser</b>	Clear Tempered glass
<b>Ingress Protection</b>	IP66
<b>Dimension</b>	As per drawing

Installation Method



## Accessories

<p>HONEY-COMB LOUVER</p> <p><b>LU017SP-AC01</b> Sold Separately</p>	<p>JUNCTION BOX / SURFACE MOUNT</p> <p><b>LUACCJNB-AL01</b> Sold Separately</p>	<p>SURFACE BASE MOUNT</p> <p><b>LUACCBSM-AL01</b> Sold Separately</p>	<p>POLYESTER STRIP</p> <p><b>LUACCSTR-PL01</b> Sold Separately</p>	<p>TREE/ POLE MOUNT</p> <p><b>LUACC TPM-AL01</b> Sold Separately</p>	<p>WALL MOUNT</p> <p><b>LUACCWLM-AL01</b> Sold Separately</p>
<p>MINI POLE MOUNTING BRACKET</p> <p><b>LUACCPBK-AL01</b> Sold Separately</p>	<p>POLE MOUNT</p> <p><b>LUACCP LM-AL02</b> Sold Separately</p>	<p>POLE MOUNT</p> <p><b>LUACCP LM-AL01</b> Sold Separately</p>	<p>POLE MOUNT</p> <p><b>LUACCP SM-AL01</b> Sold Separately</p>	<p>POLE MOUNT ARM</p> <p><b>LUACCAPM-AL01</b> Sold Separately</p>	<p>CABLE CONNECTOR</p> <p><b>LUACCFDPL-AL01</b> Sold Separately</p>
				<p>PVC STAKE</p> <p><b>LUXXPACC-BLI05</b> Sold Separately</p>	<p>CABLE CONNECTOR</p> <p><b>LUCC68WWI09-2W3P</b> Sold Separately</p>

## Application



Project Name: Czech Republic at Expo2020, Dubai, UAE.