

## 8W SURFACE MOUNTED CEILING LIGHT



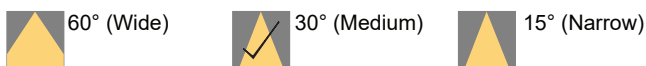
### Description

Surface Mounted Ceiling light luminaire range is a dedicated, affordable choice of innovative lighting that enables massive energy savings to be installations are replaced by the latest technology. The luminaire's easily removable top cover, and Installation for general lighting applications in home, offices and shops.

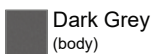
### Correlated Color Temperature (CCT)



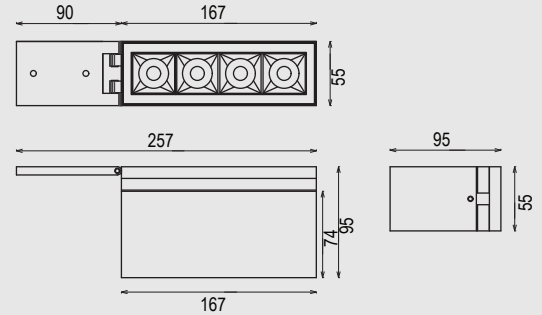
### Beam Angle



### Color Finish



Dark Grey  
(body)



### Electrical Features

<b>Wattage</b>	8W
<b>Light Source</b>	LED
<b>Output Lumen</b>	720lm (3000K)
<b>Input Voltage</b>	220-240V AC
<b>Color Rendering Index</b>	CRI >90
<b>LED Life Span</b>	>50,000Hrs
<b>Control</b>	ON / OFF

### Mechanical Features

<b>Installation</b>	Ceiling / Surface Mounted
<b>Body Material</b>	Die cast Aluminum
<b>Ingress Protection</b>	IP65
<b>Diffuser</b>	Clear Tempered glass
<b>Dimension</b>	As per drawing
<b>Bracket Size</b>	L262 x W56 mm

Product Image



Accessories

