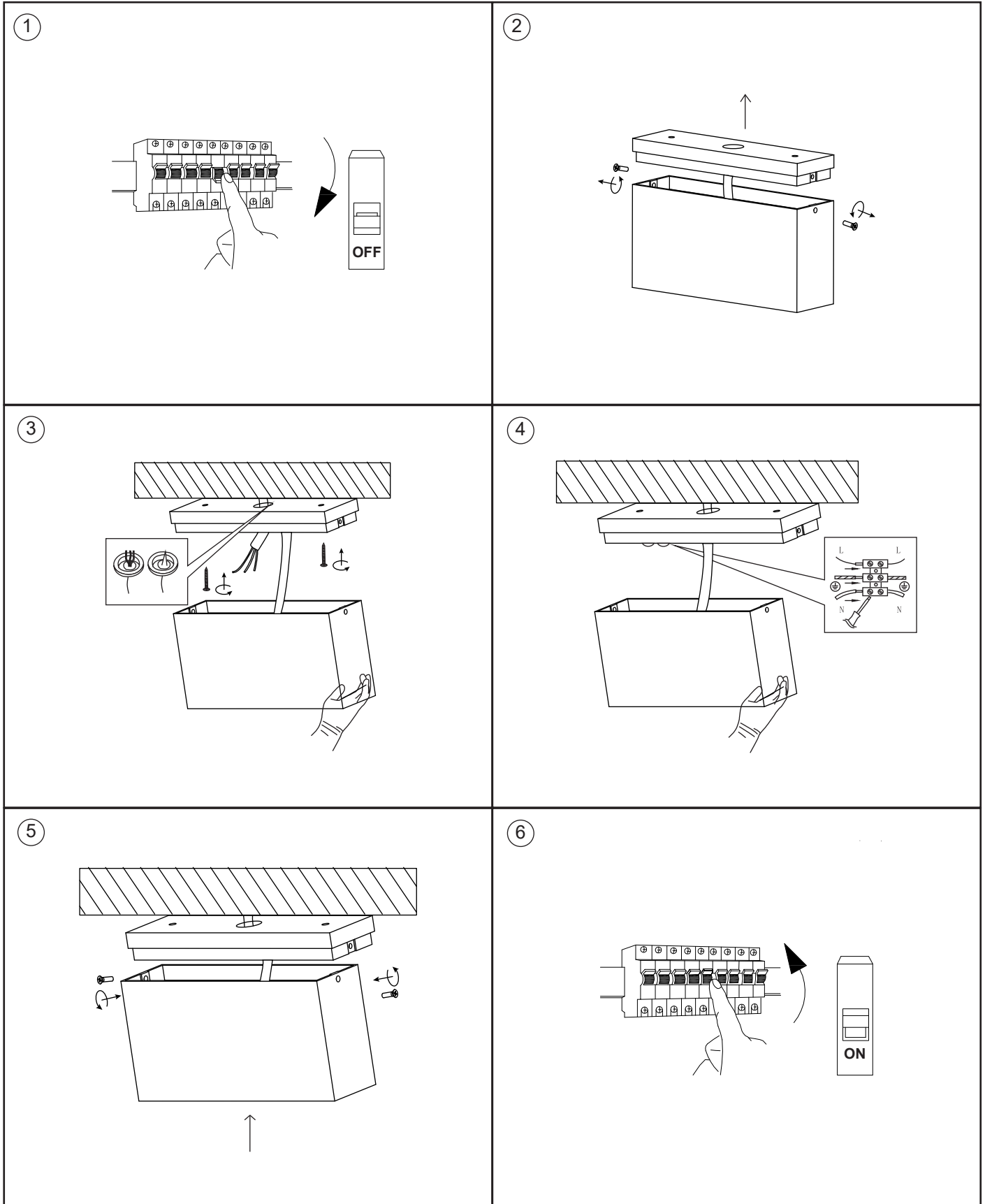


SURFACE MOUNTED CEILING DOWN LIGHT INSTALLATION INSTRUCTIONS - OPTION 1

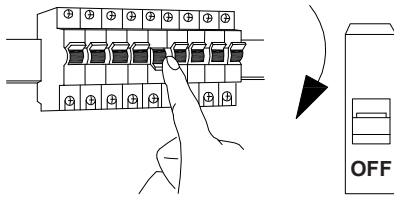
LUMO®

PART No.	LAMP TYPE	IP RATING
LU008SMCL-AD01	8W	IP65

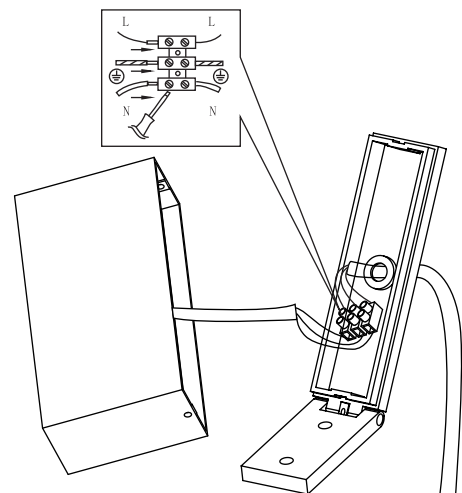
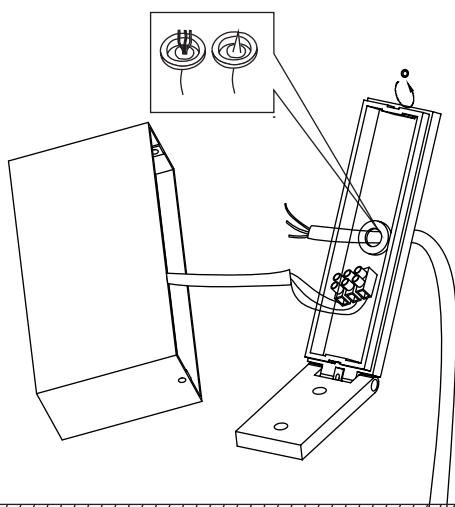
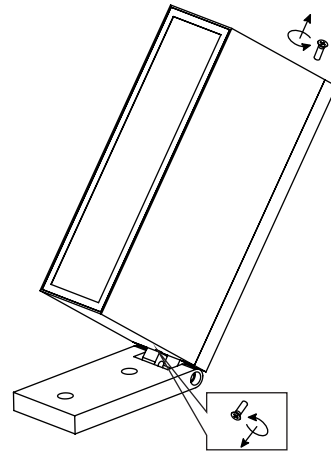


SURFACE MOUNTED CEILING DOWN LIGHT INSTALLATION INSTRUCTIONS - OPTION 2

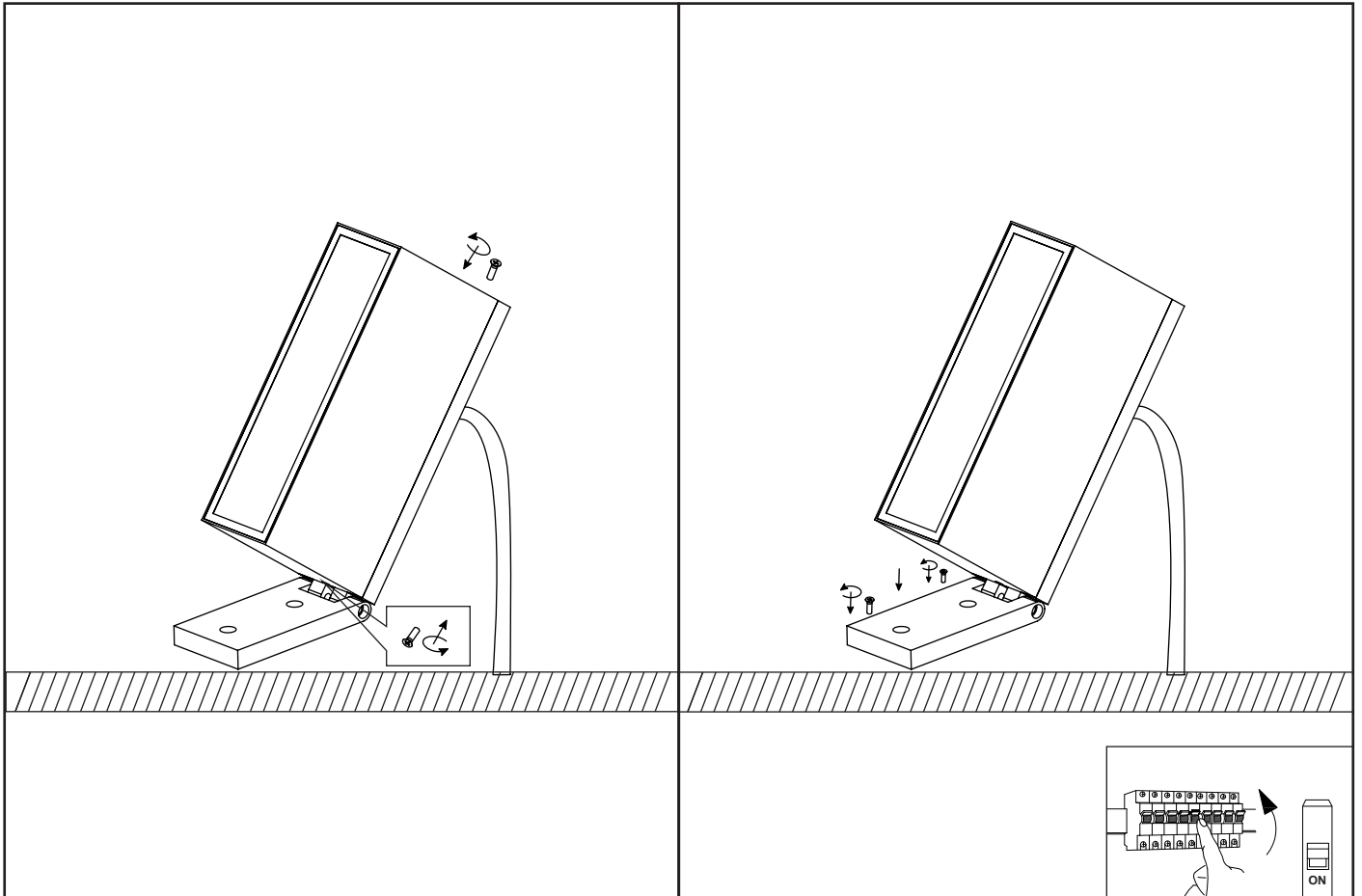
5



6



SURFACE MOUNTED CEILING DOWN LIGHT INSTALLATION INSTRUCTIONS - OPTION 2



Note : This product is out of warranty if :

- 1-The installation method is not followed as per instruction-sheet
- 2-Installation material is not used properly
- 3-Waterproofing is not done as per instruction method
- 4-Waterproofing connectors are not used
- 5-The correct voltage is not used
- 6- If the light is permanently submerged in water
- 7- If drainage is not provided to drain the rain water

Note : To prevent any risk while doing installation of this product an electrical engineer need to install / supervise installation team.

WARNINGS

This light is a low voltage light so contact LUMO for a proper driver / Transformer to be used.
All electrical works must be done by a qualified electrician.
Turn off electrical power to all affected circuits before installation or servicing.
For any technical support contact LUMO® experts in info@lumo.ae