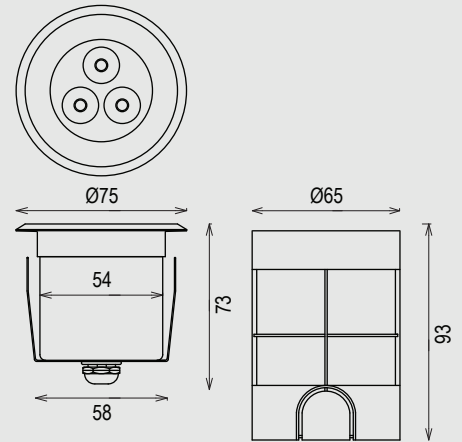


OUTDOOR RECESSED LED UNDERWATER LIGHT



Description

Underwater LED lights are bright, energy efficient, and attractively styled, making them perfect for virtually any underwater application. Ideal for installation in pools, spas/hot tubs, ponds, aquariums, waterfalls, water features, fountains, docks, and in marine environments.

This underwater light is designed for recessed installation in a pool/water feature wall or floor. Available in a variety of colors, as well as RGB(3-in-1), which can be easily controlled via a DMX decoder/driver.

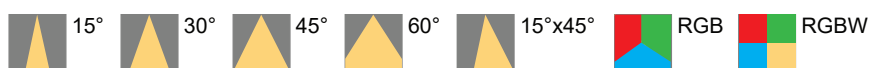
These LED underwater lights are waterproof (with an IP68 rating) and submersible. They feature a stainless steel housing and trim face and come standard with a clear glass trim.

Correlated Color Temperature (CCT)



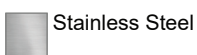
*Other color temperatures (CCT) can be made as per order.

Beam Angle



*Other Beam Angle can be made as per order.

Color Finish



Electrical Features

Wattage	8W
Light Source	Cree SMD LED
Output Lumen	80lm/W
Input Voltage	12V AC/DC or 24V DC
Color Rendering Index	>80
LED Life Span	50,000Hrs
Control	ON/OFF or DALI Dimmable

*Other control methods can be made as per order

Mechanical Features

Installation	Recessed Inground
Body Material	Stainless Steel 316
Frame Material	Stainless Steel 316
Sleeve Material	PVC
Diffuser	Tempered Glass
Ingress Protection	IP68
Impact Protection	IK 10
Dimension	Ø75 x H70 mm
Sleeve Size	Ø65 x H92 mm

Product Image



Accessories

CABLE CONNECTOR	SLEEVE	LED TRANSFORMER	LED DRIVER
			
IP68 <small>Sold Separately</small>	PVC <small>Included</small>	LU100TR167DN-S <small>Sold Separately</small>	LU025024CV267HWDALI <small>Sold Separately</small>

Application

