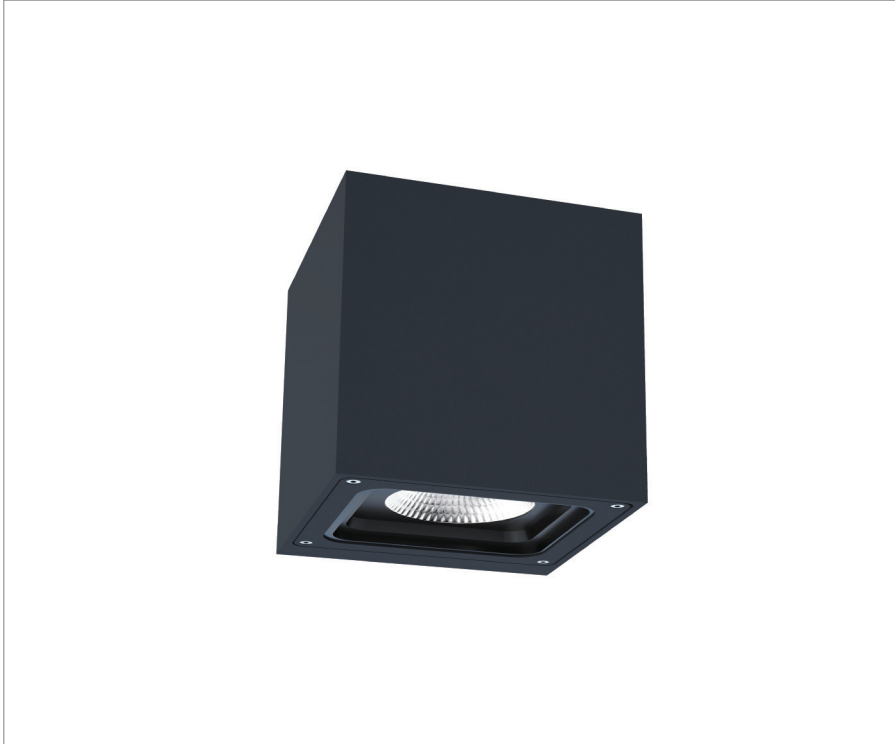


## OUTDOOR LED WALL LIGHT



### Description

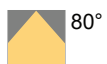
This is a modern wall light for exterior use with an IP65 rating. Manufactured in Die-cast Aluminum body, Aluminum extruded heat sink and Tempered glass diffuser. The lamp is hidden but still provides a great diffused light for highlighting your property. Ideal for installation next to entrance doors or on walls around your property, simple yet stylish.

### Correlated Color Temperature (CCT)



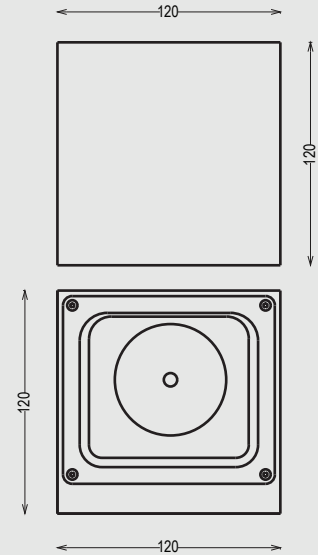
\*Other color temperatures (CCT) can be made as per order.

### Beam Angle



\*Other Beam Angle can be made as per order.

### Color Finish



### Electrical Features

<b>Wattage</b>	10W
<b>Light Source</b>	Edison LED
<b>Output Lumen</b>	700lm (3000K)
<b>Input Voltage</b>	220-240V AC, 50-60Hz
<b>Color Rendering Index</b>	>90
<b>LED Life Span</b>	50,000Hrs
<b>Control</b>	ON/OFF

\*Other control methods can be made as per order

### Mechanical Features

<b>Installation</b>	Wall Mounted
<b>Body Material</b>	Die Cast Aluminum
<b>Heat sink Material</b>	Aluminum Extruded
<b>Diffuser</b>	Tempered glass
<b>Ingress Protection</b>	IP65
<b>Impact Protection</b>	IK 08
<b>Dimension</b>	As per drawing

Product Image



Accessories



Application

