

## OUTDOOR LED CEILING / WALL BULKHEAD LIGHT



### Description

LED bulkhead lights are a durable, energy-efficient, and long-lasting lighting solution that can be used in a variety of indoor and outdoor settings. Their versatility and durability make them a popular choice for many homeowners and businesses.

Perfect to be used in corridors, hallways, walkways, stairwell, car park and basements. Rigorously tested to ensure resistance against dust and splashing water, this round LED bulkhead light is ideal for outdoor spaces. Constructed from tough opal acrylic for maximum impact resistance. This luminaire is ideal for high traffic areas where security is highly needed. A sleek and modern take on the classic round fitting. The housing of this light is powder coated in textured dark and has an opal acrylic as diffuser.

### Correlated Color Temperature (CCT)

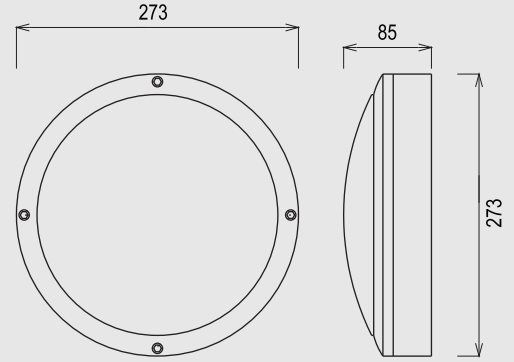


\*Other color temperatures (CCT) can be made as per order.

### Beam Angle



### Color Finish



### Electrical Features

<b>Wattage</b>	20W
<b>Light Source</b>	OSRAM SMD LED
<b>Output Lumen</b>	80-90lm/Watt
<b>Input Voltage</b>	190-265V AC, 50-60Hz
<b>Power Factor</b>	>0.9
<b>Color Rendering Index</b>	>90
<b>LED Life Span</b>	50,000Hrs
<b>Control</b>	ON/OFF

\*Other control methods can be made as per order

### Mechanical Features

<b>Installation</b>	Wall / Ceiling Mounted
<b>Body Material</b>	Die Cast Aluminum
<b>Diffuser</b>	Opal Acrylic
<b>Ingress Protection</b>	IP65
<b>Impact Protection</b>	IK 06
<b>Dimension</b>	As per drawing

Application



Accessories

ALLEN KEY	STAINLESS STEEL SCREW	NYLON FISCHER
		
Included	Included	Included