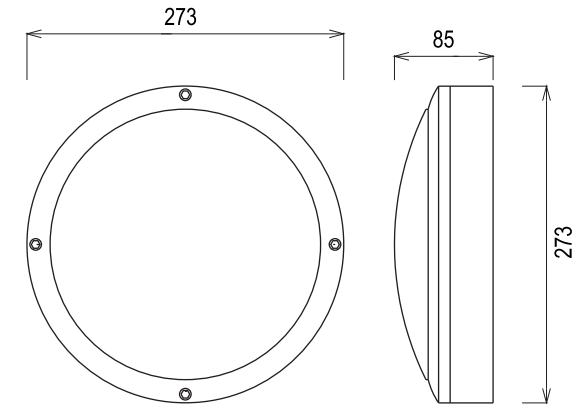


**LUMO**<sup>®</sup>

**DECORATIVE CEILING /  
WALL SURFACE LIGHT**

**LU020CL-RO01**



Note : This product is out of warranty if :

- 1-The installation method is not followed as per instruction-sheet
- 2-Installation material is not used properly
- 3-Waterproofing is not done as per instruction method
- 4-Waterproofing connectors are not used
- 5-The correct voltage is not used
- 6- If the light is permanently submerged in water
- 7- If drainage is not provided to drain the rain water

Note : To prevent any risk while doing installation of this product an electrical engineer need to install / supervise installation team.

**WARNINGS**

All electrical works must be done by a qualified electrician.  
Turn off electrical power to all affected circuits before installation or servicing.  
For any technical support contact LUMO<sup>®</sup> experts by sending e-mail to: [info@lumo.ae](mailto:info@lumo.ae)

**INSTALLATION INSTRUCTIONS**

# DECORATIVE CEILING SURFACE LIGHT INSTALLATION INSTRUCTIONS



PART No.	POWER RATING	IP RATING
LU020CL-RO11	20W	IP65

①

Turn off the power before doing any electrical work.

②

Remove the front frame from the light fixture using the Allen key provided in the light box.

③

Using a pencil mark where the holes need to be made and make two holes and insert the fishers into them.

④

Connect the power cable to the light using a terminal board and fix the light fixture back to the wall using the provided screws.

⑤

Fix the front frame back to the light fixture using the Allen key. Make sure the waterproofing gasket is not removed.

⑥

Turn on the power and test the light to ensure it is working properly.

# DECORATIVE WALL SURFACE LIGHT INSTALLATION INSTRUCTIONS



PART No.	POWER RATING	IP RATING
LU020CL-RO11	20W	IP65

①

Turn off the power before doing any electrical work.

②

Remove the front frame from the light fixture using the Allen key provided in the light box.

③

Using a pencil mark where the holes need to be made and make two holes and insert the fishers into them.

④

Connect the power cable to the light using a terminal board and fix the light fixture back to the wall using the provided screws.