

OUTDOOR LED HALF MOON WALL BULKHEAD LIGHT



Description

LED bulkhead lights are a durable, energy-efficient, and long-lasting lighting solution that can be used in a variety of indoor and outdoor settings. Their versatility and durability make them a popular choice for many homeowners and businesses.

Perfect to be used in corridors, hallways, walkways, stairwell, car park and basements. Rigorously tested to ensure resistance against dust and splashing water, this round LED bulkhead light is ideal for outdoor spaces. Constructed from tough opal acrylic for maximum impact resistance. This luminaire is ideal for high traffic areas where security is highly needed. A sleek and modern take on the classic round fitting. The housing of this light is powder coated in textured dark and has an opal acrylic as diffuser.

Correlated Color Temperature (CCT)

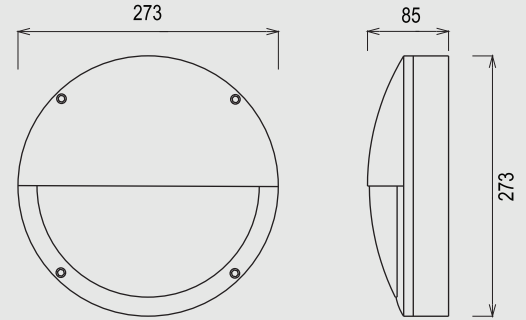


*Other color temperatures (CCT) can be made as per order.

Beam Angle



Color Finish



Electrical Features

Wattage	20W
Light Source	OSRAM SMD LED
Output Lumen	80-90lm/Watt
Input Voltage	190-265V AC, 50-60Hz
Power Factor	>0.9
Color Rendering Index	>90
LED Life Span	50,000Hrs
Control	ON/OFF

*Other control methods can be made as per order

Mechanical Features

Installation	Wall Mounted
Body Material	Die Cast Aluminum
Diffuser	Opal Acrylic
Ingress Protection	IP65
Dimension	As per drawing

Accessories



Accessories

ALLEN KEY	STAINLESS STEEL SCREW	NYLON FISCHER
		
Included	Included	Included