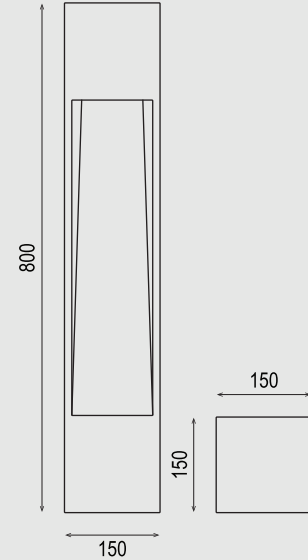


OUTDOOR LED BOLLARD LIGHT



Description

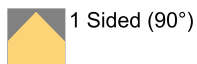
These new designs bring a bit of texture and formal simplicity to outdoor spaces. An aluminium structure surrounding the fixture creates an interior space where light and materials interact, with the soft LED lighting playing off sheets of painted metal. The beauty of this new collection is in the interplay of light and texture. As with the original version of the Lab, the light source remains hidden, but its output is being increased, for a greater presence in dark outdoor spaces.

Correlated Color Temperature (CCT)



*Other Color Temperature can be made as per order.

Beam Angle



*Other Beam angle and color finish can be made as per order.

Color Finish



Light Features

Light Source	Cree SMD LED
LED Life Span	50,000Hrs
Control	On/Off

Mechanical Features

Installation	Ground Mounted
Body Material	Stainless steel
Bracket Material	Stainless steel
Diffuser	PMMA
Ingress Protection	IP65
Impact Protection	IK08
Dimension	As per drawing

Electrical Features

Part. No.	Wattage	Input Voltage	Output Lumen	CRI
LU009MAS-SQ02	9W	220-240V AC	80-90lm/Watt	>90
LU015MAS-SQ02	15W	220-240V AC	80-90lm/Watt	>90
LU020MAS-SQ02	20W	220-240V AC	80-90lm/Watt	>90

Product Image



Accessories



Application

