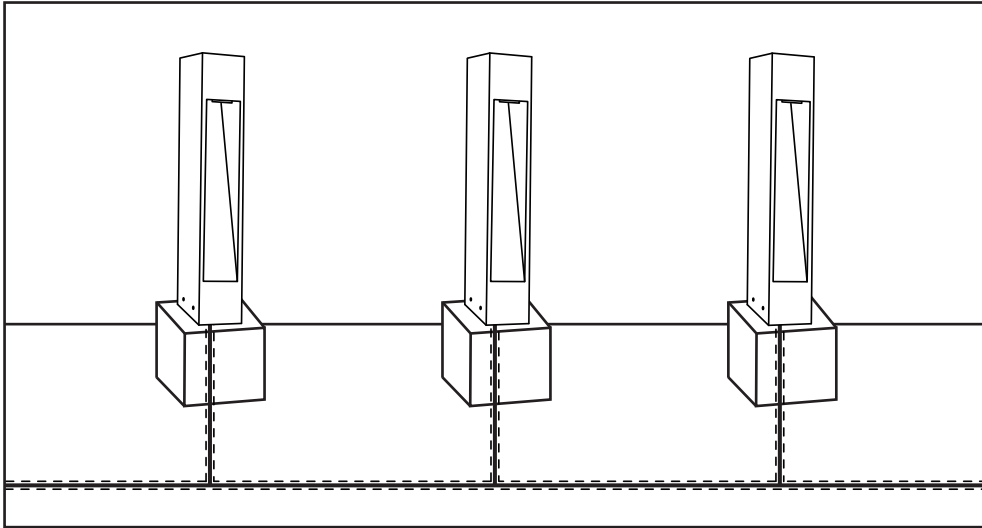


# 1 SIDED LED BOLLARD LIGHT INSTALLATION INSTRUCTIONS



Note : This product is out of warranty if :

- 1-The installation method is not followed as per instruction-sheet
- 2-Installation material is not used properly
- 3-Waterproofing is not done as per instruction method
- 4-Waterproofing connectors are not used
- 5-The correct voltage is not used
- 6- If the light is permanently submerged in water
- 7- If drainage is not provided to drain the rain water

Note : To prevent any risk while doing installation of this product an electrical engineer need to install / supervise installation team.

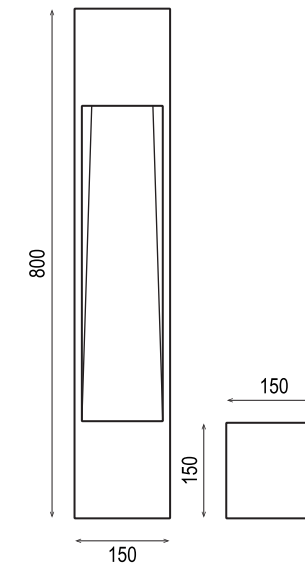
## WARNINGS

This light is a low voltage light so contact LUMO for a proper driver / Transformer to be used.  
All electrical works must be done by a qualified electrician.  
Turn off electrical power to all affected circuits before installation or servicing.  
For any technical support contact LUMO® experts in [info@lumo.ae](mailto:info@lumo.ae)



## 1 SIDED LED BOLLARD LIGHT

LU015MAS-SQ02



## INSTALLATION INSTRUCTIONS

# 1 SIDED LED BOLLARD LIGHT INSTALLATION INSTRUCTIONS



PART NAME	INPUT VOLTAGE	MATERIAL	IP RATING
LU015MAS-SQ02	220-240V AC, 50/60Hz	Aluminum + PMMA	IP65

①

② Switch off the main power before doing any installation or maintenance process.

③

④ Place the base on the concrete where you are going to place the light to mark the base with a marker.

⑤ Remove the base and drill the concrete with M8 size.

# 1 SIDED LED BOLLARD LIGHT INSTALLATION INSTRUCTIONS



⑥ Put the M8 anchors in the drilled holes and tighten them well.

⑦ Paint the concrete base with marine-grade paint or use epoxy to make the base water and salt proof to prevent the base be in touch with the ground directly.

⑧ Put the bracket on the fixed anchors and take out electrical wire.

⑨ Connect the wires using existing waterproof I-connector.

⑩

⑪ turn on the lights.