

OUTDOOR LED WALL LIGHT



Description

This is a modern wall light for exterior use with an IP65 rating. Manufactured in Die-cast Aluminum body, Aluminum extruded heat sink and Tempered glass diffuser. The lamp is hidden but still provides a great diffused light for highlighting your property. Ideal for installation next to entrance doors or on walls around your property, simple yet stylish.

Correlated Color Temperature (CCT)



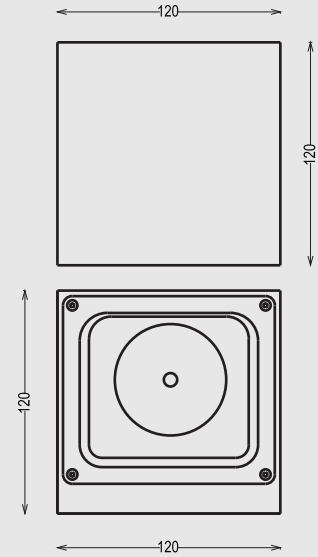
*Other color temperatures (CCT) can be made as per order.

Beam Angle



*Other Beam Angle can be made as per order.

Color Finish



Electrical Features

Wattage	2x10W
Light Source	Cree COB LED
Output Lumen	2x700lm (3000K)
Input Voltage	220-240V AC, 50-60Hz
Color Rendering Index	>90
LED Life Span	50,000Hrs
Control	ON/OFF

*Other control methods can be made as per order

Mechanical Features

Installation	Wall Mounted
Body Material	Die Cast Aluminum
Heat sink Material	Aluminum Extruded
Diffuser	Tempered glass
Ingress Protection	IP65
Impact Protection	IK 08
Dimension	As per drawing

Product Image



Accessories



Application



Project Name: Al Ikhaa Masjid, Dubai, UAE.